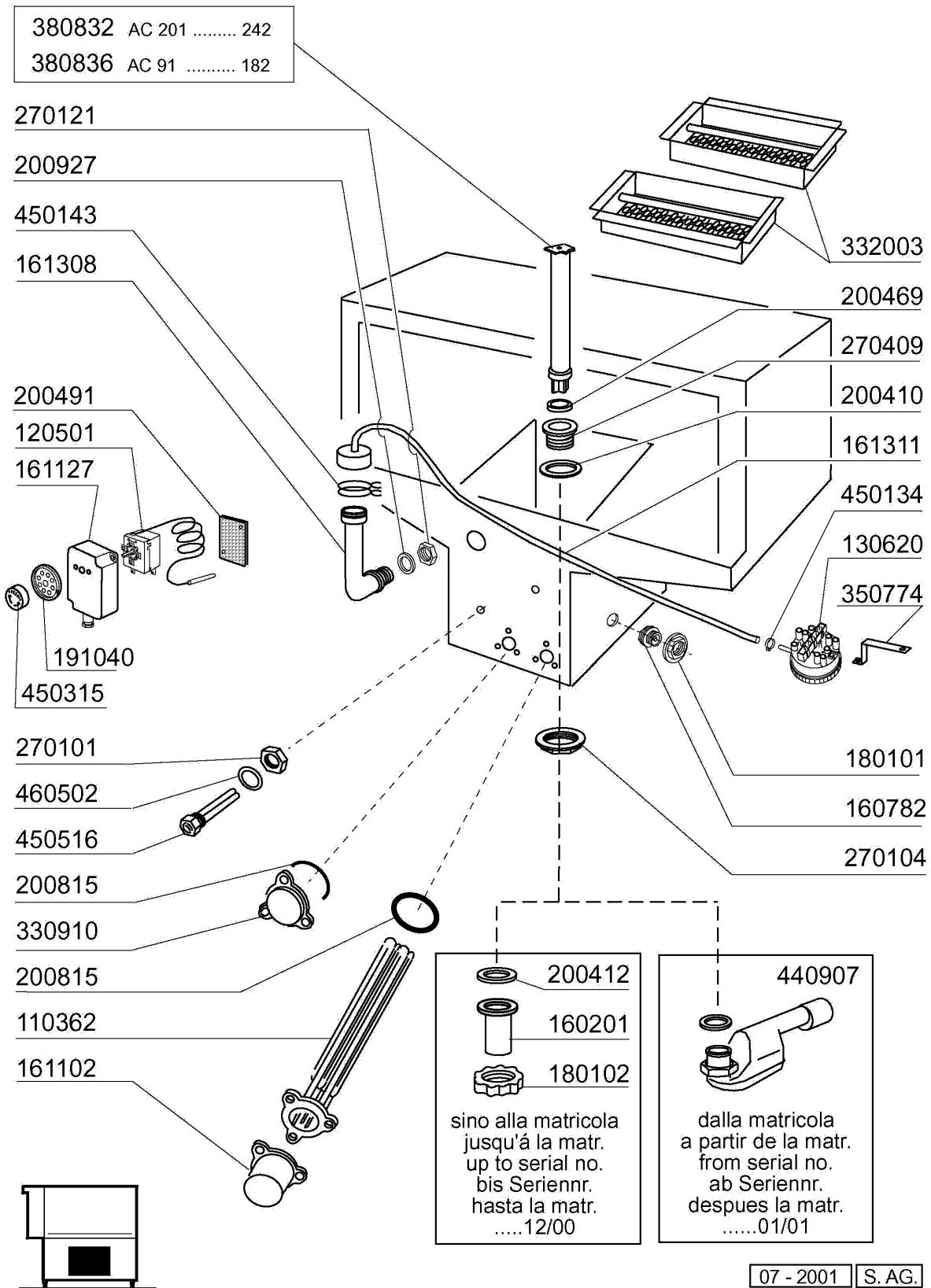


2 - Wash Hood

CODE	DESCRIPTION
120320	LIMIT SWITCH WITH LEVER
130453	EMERGENCY RED PUSH BUTTON
160803	GASKET D.5
161110	BACK COVER S90-C85-140
161153	BACK COVER CHANNEL 300X1240 (S
180630	DOUBLE SKINNED DOOR RUNNER -AC
190651	BUSH
190906	CURTAIN IN/OUT 620X480
210404	BLACK RUBBER FOOT S90 NE SE
210411	RIGHT PLUG FOR ACR/AC HANDLE
210412	LEFT PLUG FOR ACR/AC HANDLE
260129	SCREW TE M 5X20
260250	SCREW TB 5X20
260325	SCREW TSP 8X30
260406	NUT 8MA
260414	SELF-LOCKING NUT M5
260503	STAINL.STEEL FLAT WASHER D5 UN
260505	STAINL.STEEL FLAT WASHER D8
260513	GROWER WASHER D8
260538	WASHER 18X6X1,5 ST/ST
310212	BLIND NUT M6 BLACK NYLON
322992	DOOR AC-ACR 1300MM
331061	DOOR HANDLE AC-ACR 1300MM
331116	DOOR SECURITY HOOK
331430	BRACKET FOR DOOR SPRING
331755	HOOK FOR DOOR SUPPORT
331802	MICRO SWITCH BRACKET AC
340356	PANEL
340357	PANEL
340422	SHAFT FOR CURTAIN AC-ACR
341016	BRACKET FOR DOOR SECURITY HOOK
341531	HOOD
350374	BACK PANEL AC
350396	LATERAL PANEL AC
350397	LATERAL PANEL AC
351636	FRONT PANEL AC
351637	FRONT PANEL WITH THERMOMETERS
351902	BACK PANEL ECORINSE AC
391331	SPRING ASSEMBLY KG. 5 MM 40
450905	CAPIL.THERMOMETER D.52 1,5M
620222	COMPLETE ALUMINIUM LEGS
660862	MICROSWITCH

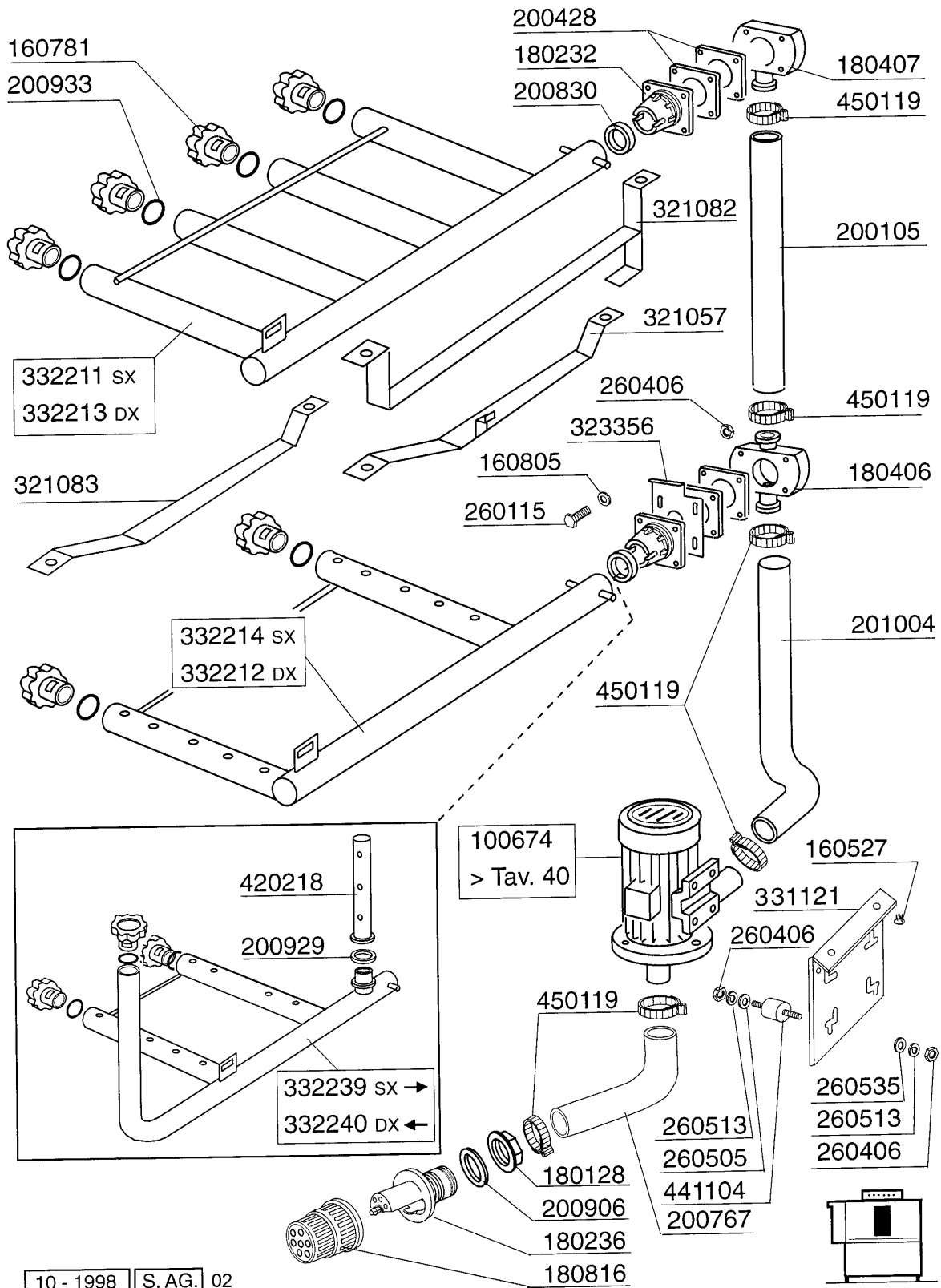
3 - Wash Tank Components



3 - Wash Tank Components

CODE	DESCRIPTION
110362	HEAT.ELEMENT 9000W 220/380V
120501	THERMOSTAT 30/90°C
130620	PRESSURE SWITCH 3 LEVEL 50-30/
160201	ELBOW F.TANK INLET MOPLN
160782	PLUG 3/4 F. AC-(160732)
161102	ELEMENT COVER MOPL.
161127	BOX FOR THERMOSTAT
161308	AIR CHAMBER C95-155
161311	HOSE FOR AIR CHAMBER BC-BR-AC9
180101	RETAIN.NUT 3/4" B23-10-11-12
180102	DRAIN PIPE NUT 1"1/2 F45-55
191040	FRAME F.THERMOSTAT KNOB
200410	DRAIN OUTL.WASH.1 1/2"65X47X2
200412	GASKET DRAIN 11/2" 45X33X3
200469	STAND PIPE O RING 45X35,5X7
200491	BACK GASKET OF THERMOSTAT BOX
200815	O-RING F. HEAT.ELEM.
200927	GASKET FOR AIR TRAP
270101	HEXAGON LOCK NUT 1/2"
270104	LOCK NUT 1" 1/2
270121	NUT FOR AIR TRAP
270409	DRAIN OUTLET AC-ACR
330910	FLANGE
332003	WASH STRAINER AC95/91/181
350774	BRACKET
380832	OVERFLOW PIPE WASH TANK AC-ACR
380836	OVERFLOW PIPE MM.415
440907	SIPHON 1"1/2
450134	ELASTIC HOSE CLIP D.9,3/8,8
450143	CLAMP D.39,7 X 37,7
450315	KNOB F. THERMOSTAT 90°
450516	THERMOSTAT SHIELD FOR 2 TERMOS
460502	GASKET 30X21X2

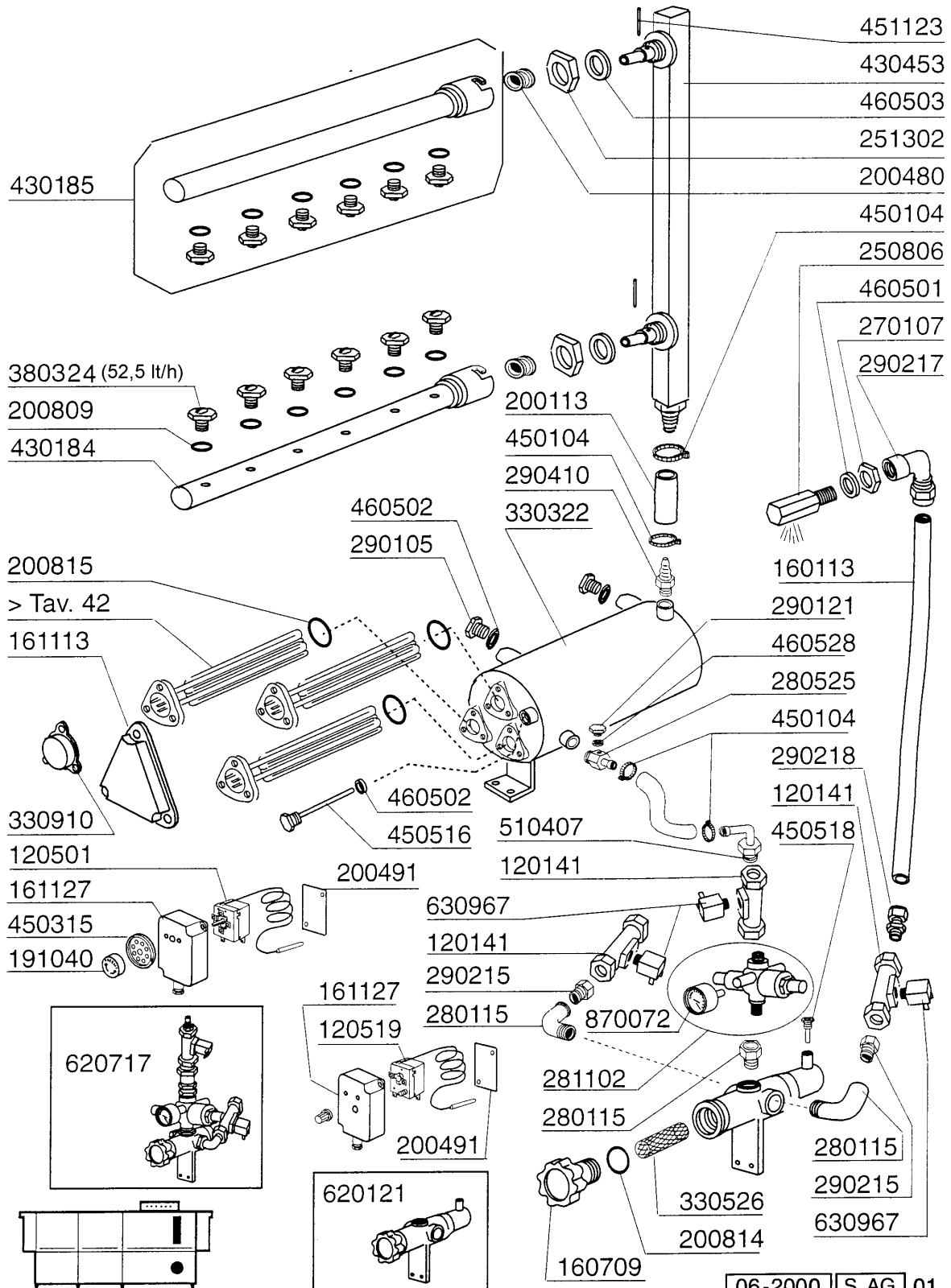
4 - Wash Column



4 - Wash Column

CODE	DESCRIPTION
100674	PUMP HP 3 V.220-415-50HZ-1205
160527	PLUG 14,5X2X8
160781	PLUG FOR COLLECTOR NEW AC
160805	GASKET D.8
180128	RING NUT 65,4 C140 C85
180232	WASH ARM FLANGE SNL
180236	PUMP SUCTION FOR AC-ACR-C155
180406	T-CONNECTOR F. WASHING S90-SNL
180407	ELBOW S90 S N L
180816	STRAINER OF INLET PUMP AC-ACR
200105	RUBBER HOSE 50X60
200428	GASKET 100X100X3 NEOTEN
200767	OUTLET HOSE WASH ACR
200830	O-RING 37,3X44,5X3,6
200906	GASKET D.92X66X2
200929	ARM GASKET
200933	OR 24/32/4 FOR PLUG COLLECTOR
201004	OUTLET HOSE AC95-AC135
260115	STAIN.ST.TE SCREW 8X20 A2 UNI
260406	NUT 8MA
260505	STAINL.STEEL FLAT WASHER D8
260513	GROWER WASHER D8
260535	STAINL.ST WASHER 24X8,5X2
321057	LOWER WASH ARM SUPPORT
321082	SUPPORT
321083	SUPPORT FOR "S" LOWER WASHARM
323356	REGULAT. LOWER ARM BRACKET AC
331121	FIXING PLATE FOR PUMP ACR
332211	CONNECTION ELBOW F.UPPER WASH
332212	CONNEC.ELBOW F.LOWER RIGHT WAS
332213	CONNEC.ELBOW F.UPPER RIGHT WAS
332214	CONNEC.ELBOW F.LOWER LEFT WASH
332239	CONNEC.ELBOW F.LOWER+LATER.WAS
332240	CONNEC.ELBOW F.LOWER+LATER.WAS
420218	BACK SIDE WASH ARM ACR MACHINE
441104	VIBRATION-DAMPING FEET FOR ACR
450119	CLAMP FE ZN. 58-75 H=12,2

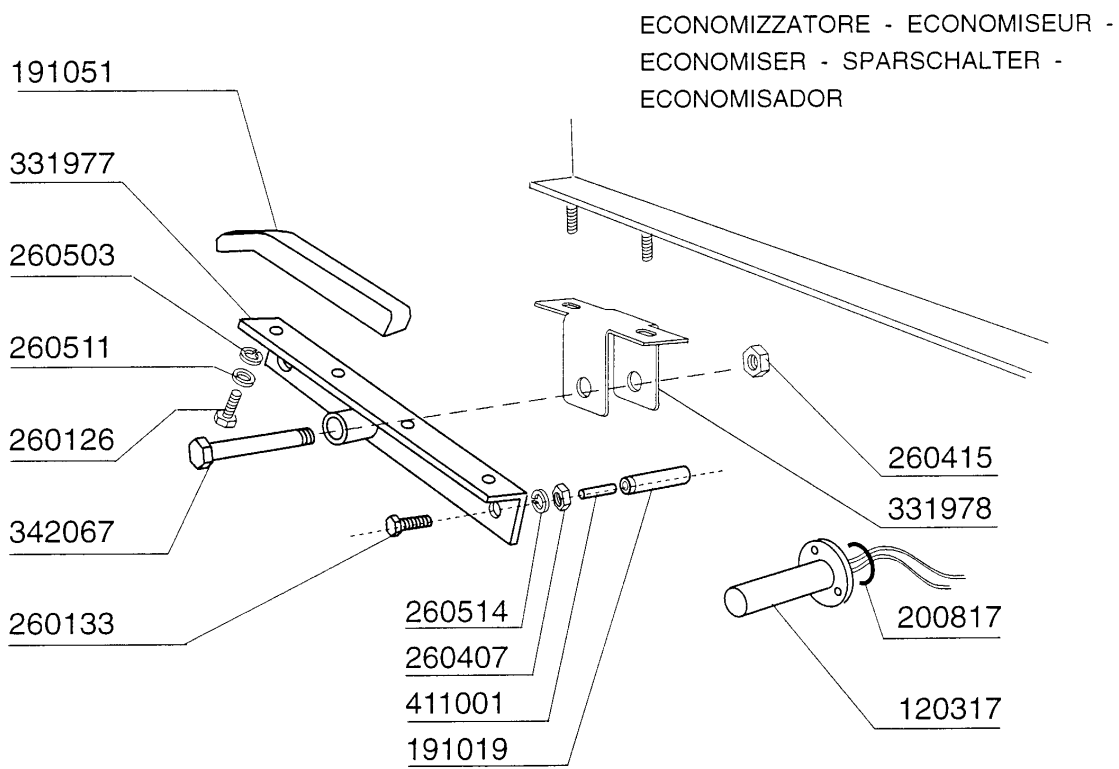
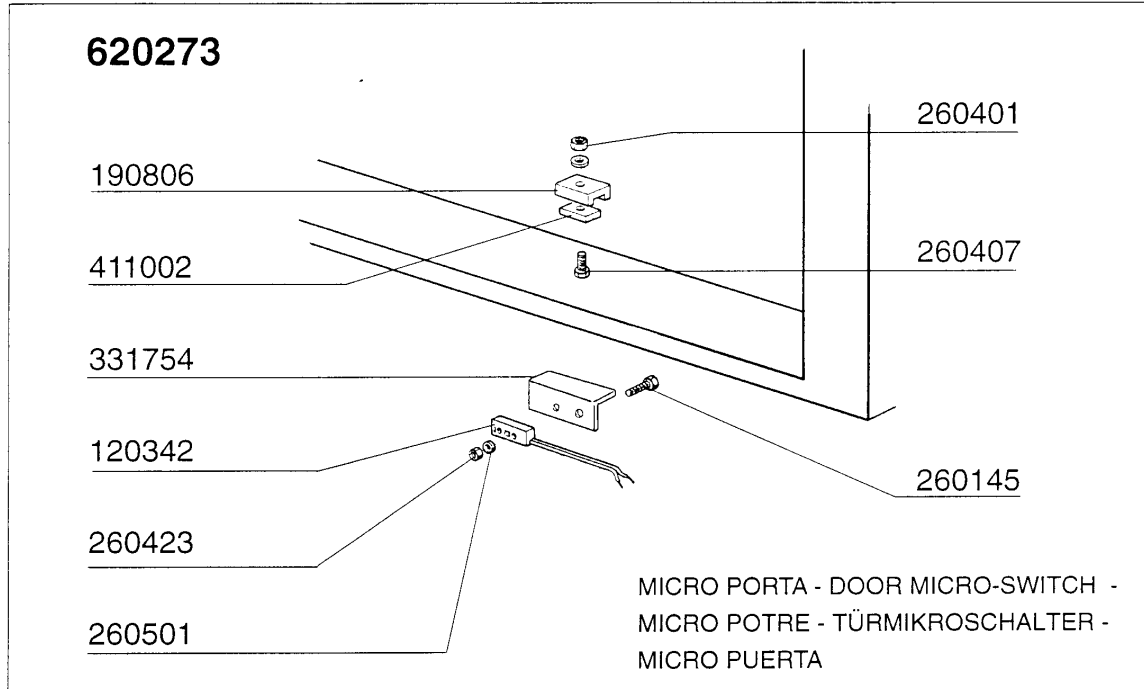
5 - Rinse Assembly / Boiler with 3 heating elements



06-2000 | S. AG. | 01

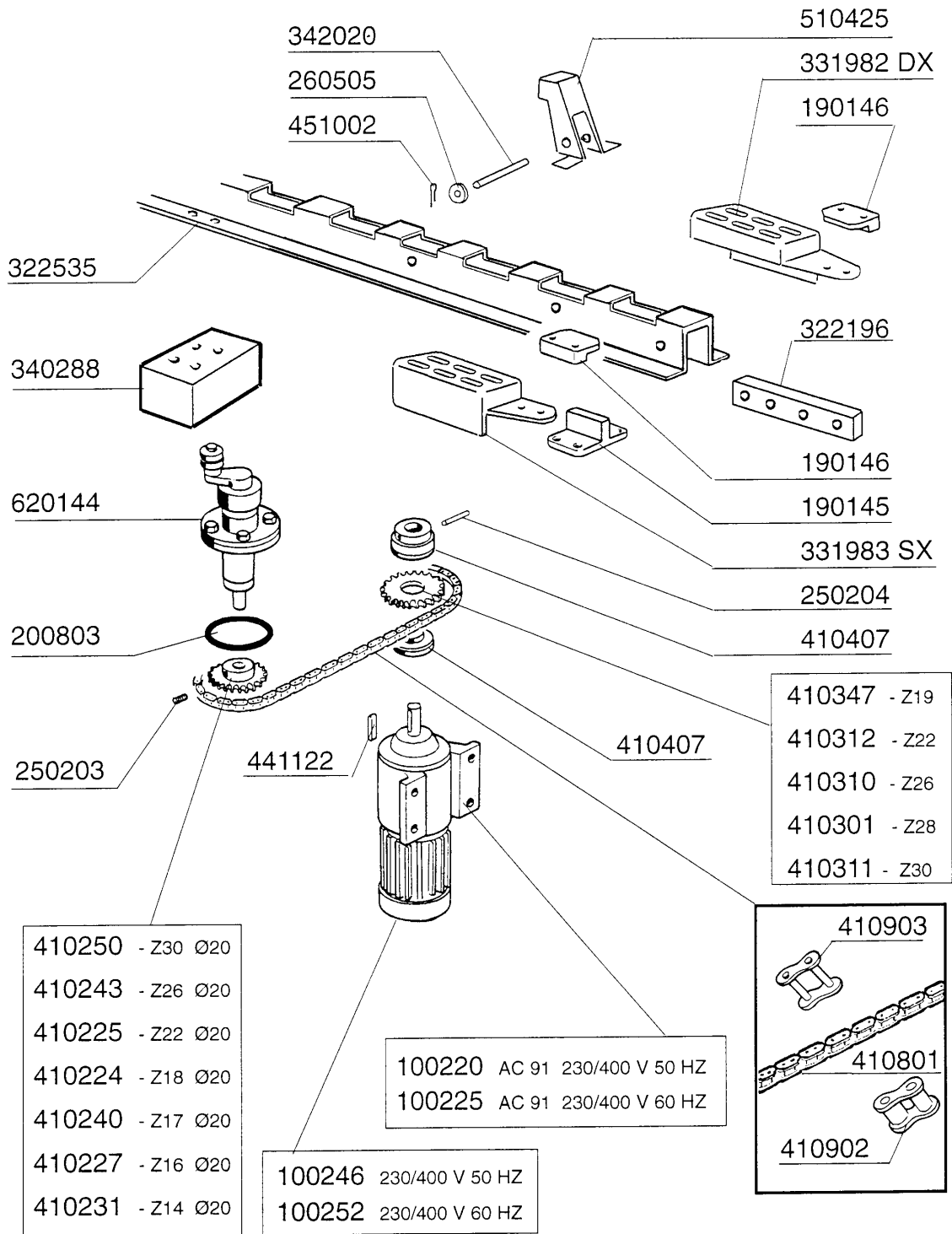
5 - Rinse Assembly / Boiler with 3 heating elements

CODE	DESCRIPTION
120141	SOLEN.VALVE METAL.328000 D.1/2
120501	THERMOSTAT 30/90°C
120519	SECURITY THERMOSTAT 95-125°C
160113	TUBE IN POL. RETIC. 12 EST
160709	KNOB OF MANIFOLD F. SOLEN. VAL
161113	ELEMENT COVER BLACK
161127	BOX FOR THERMOSTAT
191040	FRAME F.THERMOSTAT KNOB
200113	RUBBER HOSE 12 X 22
200480	GASKET F. RINSE CONNECT.
200491	BACK GASKET OF THERMOSTAT BOX
200809	OR GASKET 1,78X8,73X12,29
200814	O-RING 34,52X41,58X3,53
200815	O-RING F. HEAT.ELEM.
250806	TANK FILL HOSE CLAMP - AC/ACR
251302	S/S LOCK NUT 3/4" AC-ACR
270107	BRASS LOCK NUT 3/8" FL803
280115	ELL 1/2"
280525	NIPPLE
281102	1/2" ADJ VALVE C/W GAUGE TYPE
290105	BRASS-TE-PLUG 1/2"
290121	BRASS PLUG 1/8"
290215	1/2"BSP M/F UNION BRASS
290218	NIPPLE 12X1/2"
290410	NIPPLE 1/2"
330322	INSULATED BOILER D.230 N/S
330526	FILTERS 22X28 SOLENOID V.MANIF
330910	FLANGE
380324	RINSE JETS 52,5 80° OV1/8"
430184	ARM
430185	RINSE ARM
430453	RINSE/ECOR. COLUMN AC
450104	CLAMP FE ZN H=12,5 15-24
450315	KNOB F. THERMOSTAT 90°
450516	THERMOSTAT SHIELD FOR 2 TERMOS
450518	THERMOSTAT SHIELD FOR SNL
451123	ELASTIC PIN 4X16
460501	GASKET 24X17X2
460502	GASKET 30X21X2
460503	SEALING WASHER 38X27X2(3/4)
460528	GASKET 15X10X2 FOR RINSE NIPPE
510407	NIPPLE FOR BOILER N S
620121	TWIN SOLENOID VALVE MANIFOLD
620717	FILTER FOR SOLENOID ACS151-202
630967	COIL V24/50HZ E/V 328002
870072	PRESSURE GAUGE 0-4 ATM



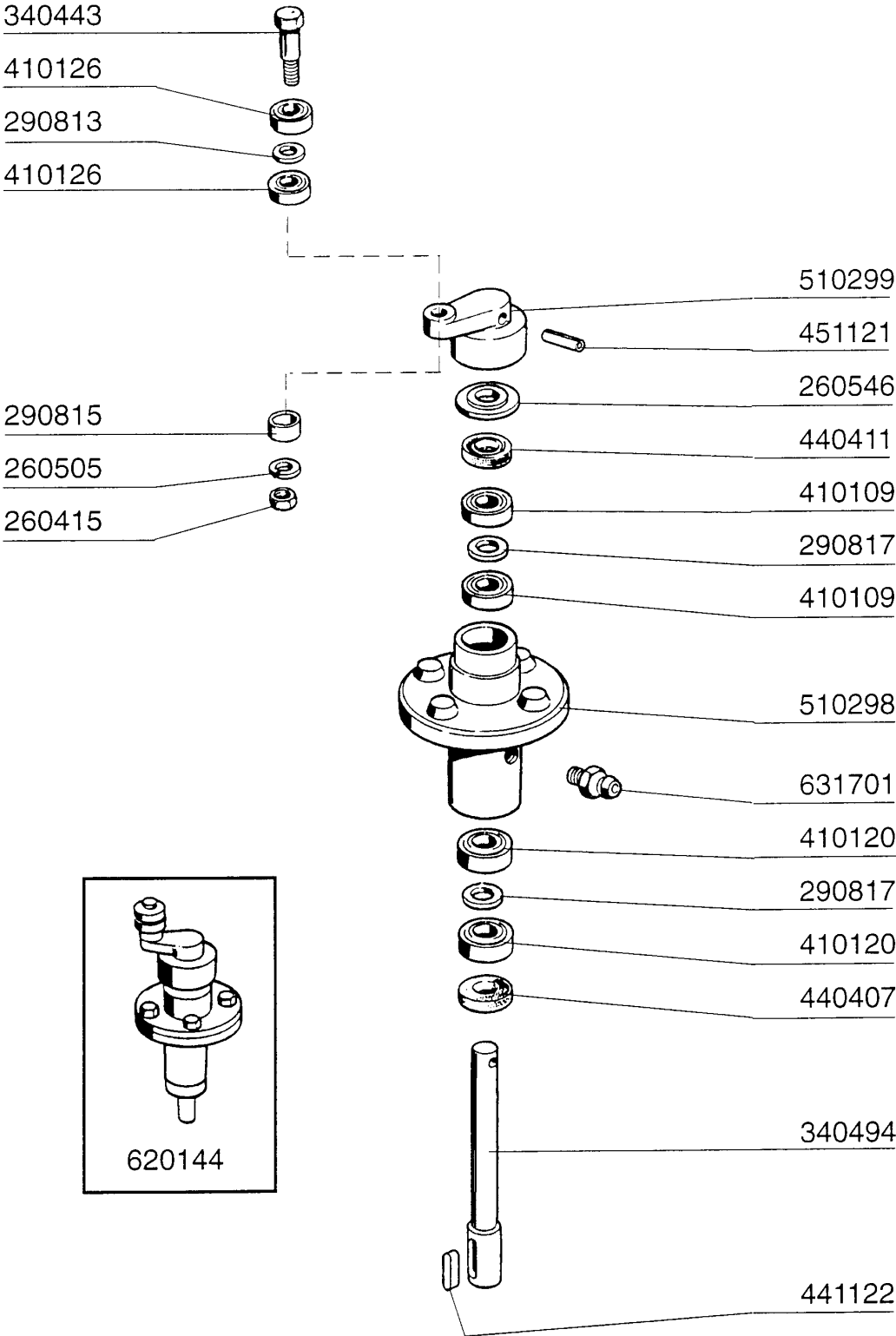
6 - Economiser/micro switches

CODE	DESCRIPTION
120317	RINSE MICROSWITCH
120342	DOR MAGNETIC SWITCH
190806	MAGNET HOUSING
191019	MAGNET HOUSING S90 MOPL.-S.N.L
191051	SLIDING PAD SE SNL ECONOMIZER
200817	O-RING 1,78X25,12X28,68-2100
260126	SCREW TE 5X12
260133	SCREW 10X55
260145	SCREW TE 3X16
260401	NUT 3MA
260407	STAINLESS STEEL NUTS D10 UNI 5
260415	STAINLESS STEEL SELF-LOCKING N
260423	SELF-LOCKING NUT M3
260501	STAINL.STEEL FLAT WASHER D3 UN
260503	STAINL.STEEL FLAT WASHER D5 UN
260511	GROWER WASHER D.5
260514	GROWER WASHER D.10
331754	DOOR MICRO SWITCH BRACKET FOR
331977	ECONOMISER LEVER AC
331978	BRACKET ECONOMISER LEVER AC
342067	PIN FOR ECONOMISER
411001	PERMANENT MAGNET 8X40
411002	PERMANENT MAGNET 24X12
620273	DOOR SWITCH KIT AC



7 - Drive unit

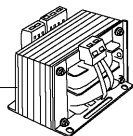
CODE	DESCRIPTION
100220	DRIVE MOTOR KW0,12-220/380V/50
100225	DRIVE MOTOR KW 0,12-220/380V-6
100246	DRIVE KW 0,1-0,15 380/3
100252	DRIVE MOTOR 0,1-0,15KW 380/60
190145	SUPPORT F.PAWL BAR GUIDE AC
190146	CLAMPING PIECES AC
200803	OR GASKET 3,53X98,02X105,08
250203	GRUB SCREW 8X12
250204	GRUB SCREW 6X6
260505	STAINL.STEEL FLAT WASHER D8
322196	BRACKET
322535	PAWL BAR GUIDE AC
331982	RIGHT COVER
331983	LEFT COVER
340288	CHANNEL F.DRIVE BEARING S3Ø-SE
342020	PIN
410224	TURNED PINION Z18-1/2"-D.20
410225	TURNED PINION Z22-1/2"-D.20
410227	TURNED PINION Z16-1/2"-D.20
410231	TURNED PINION Z14 1/2"-D.20
410240	TURNED PINION Z17-1/2"-D.20
410243	TURNED PINION Z26-1/2"-D.20
410250	TURNED PINION Z30 1/2" D.20
410301	CROWN DISCS 28T PITCH 1/2"
410310	CROWN Z 26 1/2"
410311	CROWN DISCS 30T 1/2"
410312	CROWN DISCS 22T
410347	CROWN DISCS 19T 1/2PITCH
410407	TORQUE LIMITER LC 1
410801	DRIVE CHAIN 1/2" N-S
410902	FALSE CHAIN LINK 1/2"
410903	CHAIN JOINT 1/2"
441122	DRIVE SHAFT KEY 6X6X25 UNI 660
451002	COTTER PIN STAINL.ST. D2X12
510425	PAWL LOAD. AC/ACR
620144	DRIVE ASSEMBLY



8 - Drive unit

CODE	DESCRIPTION
260415	STAINLESS STEEL SELF-LOCKING N
260505	STAINL.STEEL FLAT WASHER D8
260546	SLIDING WASHER STAINLESS STEEL
290813	PACKING PIECES BRASS S-F2
290815	DISTANCE PIECE S3Ø BRASS
290817	BRASS DISTANCE PIECE 24X14
340443	CRANK SHOULDER PIN
340494	DRIVE SHAFT S 3Ø
410109	BEARINGS 17X40X12 6203
410120	BALL BEARING 17X35X10
410126	BEARING 6201-2RS Z15
440407	SEAL MIM 20X35X7
440411	SEAL 17X40X7
441122	DRIVE SHAFT KEY 6X6X25 UNI 660
451121	ELAST.ROLL PINS 6X30
510298	DRIVE HOUSING S 3Ø
510299	NICKELPLATED BRASS DRIVE CRANK
620144	DRIVE ASSEMBLY
631701	GREASE NIPPLE 9003

- 120632 (250 VA)
- 120634 (300 VA)
- 120625 (350 VA)
- 120635 (400 VA)

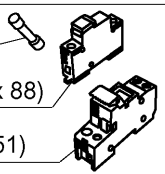


- 130931 (ABB)
- 130912 (TEL)

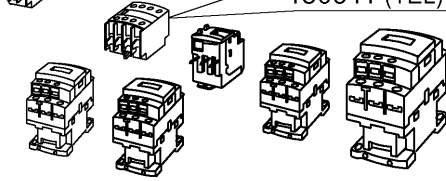


- 120476
- 120935

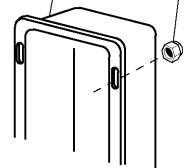
- 150710 (10,3 x 88)
- 150711 (14 x 51)



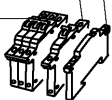
- 130926 (ABB)
- 130910 (TEL)
- 130928 (ABB)
- 130911 (TEL)



- 161112
- 290701



- 630977
- 130925
- 121021 (25 A)
- 121023 (40 A)
- 121024 (50 A)
- 121025 (63 A)



- 350774

- 130620

- 450128

- 200129

- 120715

- 200921

- 180243

- 180111

- 130702

- 130702

- 130702

- 130702

- 130702

- 130702

- 130702

- 130413

- 130701

- 130701

- 130701

- 130701

- 130701

- 130701

- 130701

- 130701

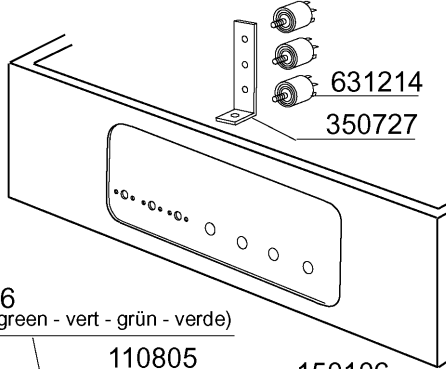
- 130701

- 130701

- 130701

- 130701

- 130701



- 631214
- 350727

- 450330
- 150503

- 120749 - 63 A
- 120748 - 80 A
- 120745 - 125 A

- 150106 (verde - green - vert - grün - verde)

- 150106 (verde - green - vert - grün - verde)

- 110805

- 130138

- 130138

- 130411

- 130413

- 130410

- 130413

- 130413

- 150105 (rosso - red - rouge - rot - rojo)

- 130138

- 130138

- 130138

- 130138

- 130138

- 130138

- 130138

- 130138

- 130138

- 130138

- 130138

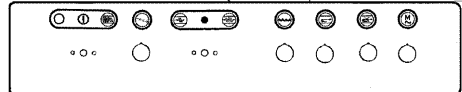
- 130138

- 130138

- 130138

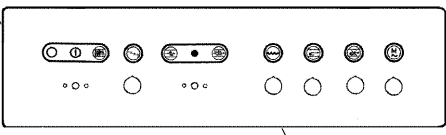
- 130138

- 460873 (122 - 182)



- 128 mm

- 460795 (201 - 242)

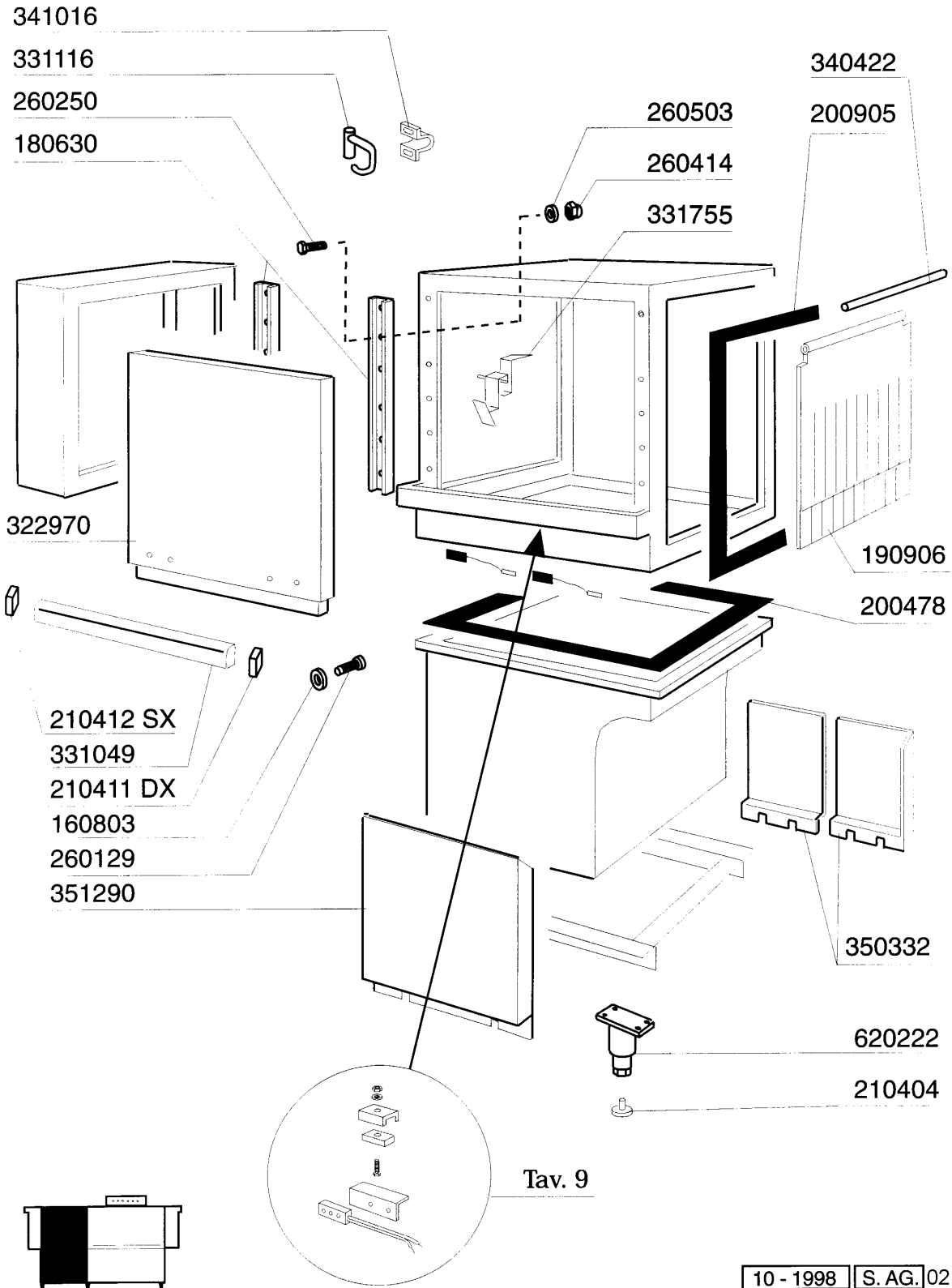


- 190 mm

06 - 2003 S.A.G.

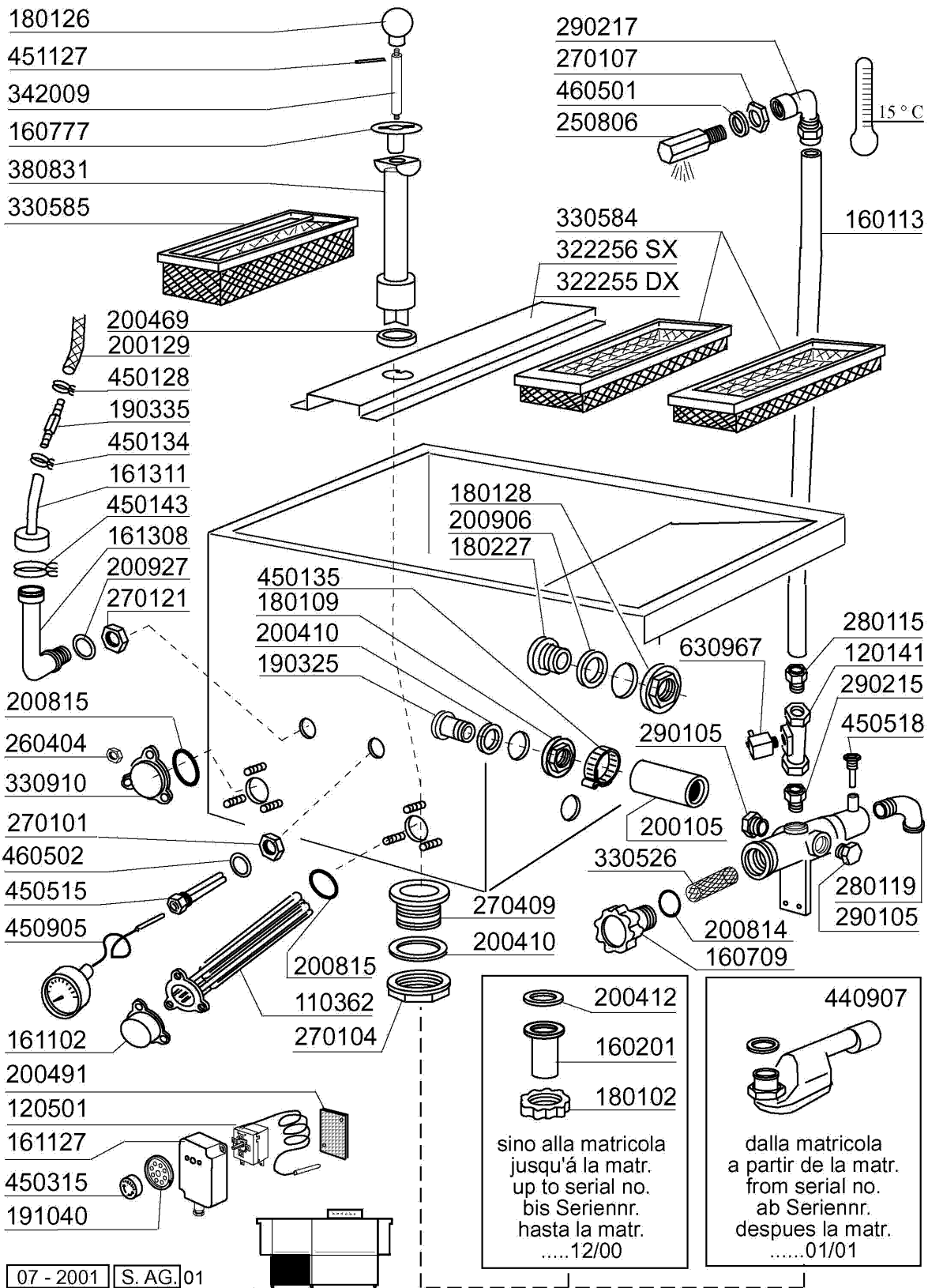
9 - Control Box AC122..242

CODE	DESCRIPTION
110805	SWITCH THREEPOLE
120476	RELAY 16A 24V
120625	TRANSFOR.350VA 225*415/12V-24V
120632	TRANSFORMER 250VA220-240-380-4
120634	TRANSFORMER 300VA220-240-380-4
120635	TRANSFORMER 400VA220-240-380-4
120715	MAIN SWITCH 16A 4 POLES
120745	MAIN SWITCH 4 POLE 125A
120748	MAINSWITCH 80A 4P
120749	MAINSWITCH 63A 4P
120935	SUPPORT
121021	CIRCUIT BREAKER 25A
121023	CIRCUIT BREAKER 40A
121024	CIRCUIT BREAKER 50A
121025	CIRCUIT BREAKER 63A
130138	LIGHT WITH BAYONET COUPLING 3W
130410	STOP CONTACT F40 CN RED
130411	START CONTACT YELLOW
130413	GREEN PUSH BUTTON
130620	PRESSURE SWITCH 3 LEVEL 50-30/
130701	RED COLOURED PLASTIC COVER IND
130702	GREEN COLOUR. IND LAMP PLAST.C
130910	CONTACT LA1 D20 A65
130911	CONTACT LA1 D40 A65
130912	TIMER CONTACT 0,1/30SEC. LA3D2
130925	CONTACT FOR CIRCUIT BREAKER
130926	CONTACT ABB 1NO
130928	CONTACT ABB 4NO
130931	CONTACT ABB 1NO/1NC 30"
150105	LAMP RED D.22X5
150106	LAMP GREEN 22X5
150503	EXTENTION FOR MAIN SWITCH
150710	FUSE CARRIER 10,3X38 ART.21401
150711	FUSE CARRIER 14X51 ART.21501
161112	BACK COVER CHANNEL 300 S N
180111	BLACK KNOB
180243	FLANGE
200129	HOSE 5X11 FOR PRESSURE SWITCH
200921	GASKET
290701	HEXAGON BLIND NUTS GM H12
350727	BRACKET
350774	BRACKET
450128	CLAMP
450330	KNOB FOR MAIN SWITCH
460795	PLATE AC135/150
460873	CONTROL PANEL
630977	COIL FOR CIRCUIT BREAKER 24V
631214	ANTI-NOISE FILTER 4011135007 3



10 - Prewash Hood 900mm

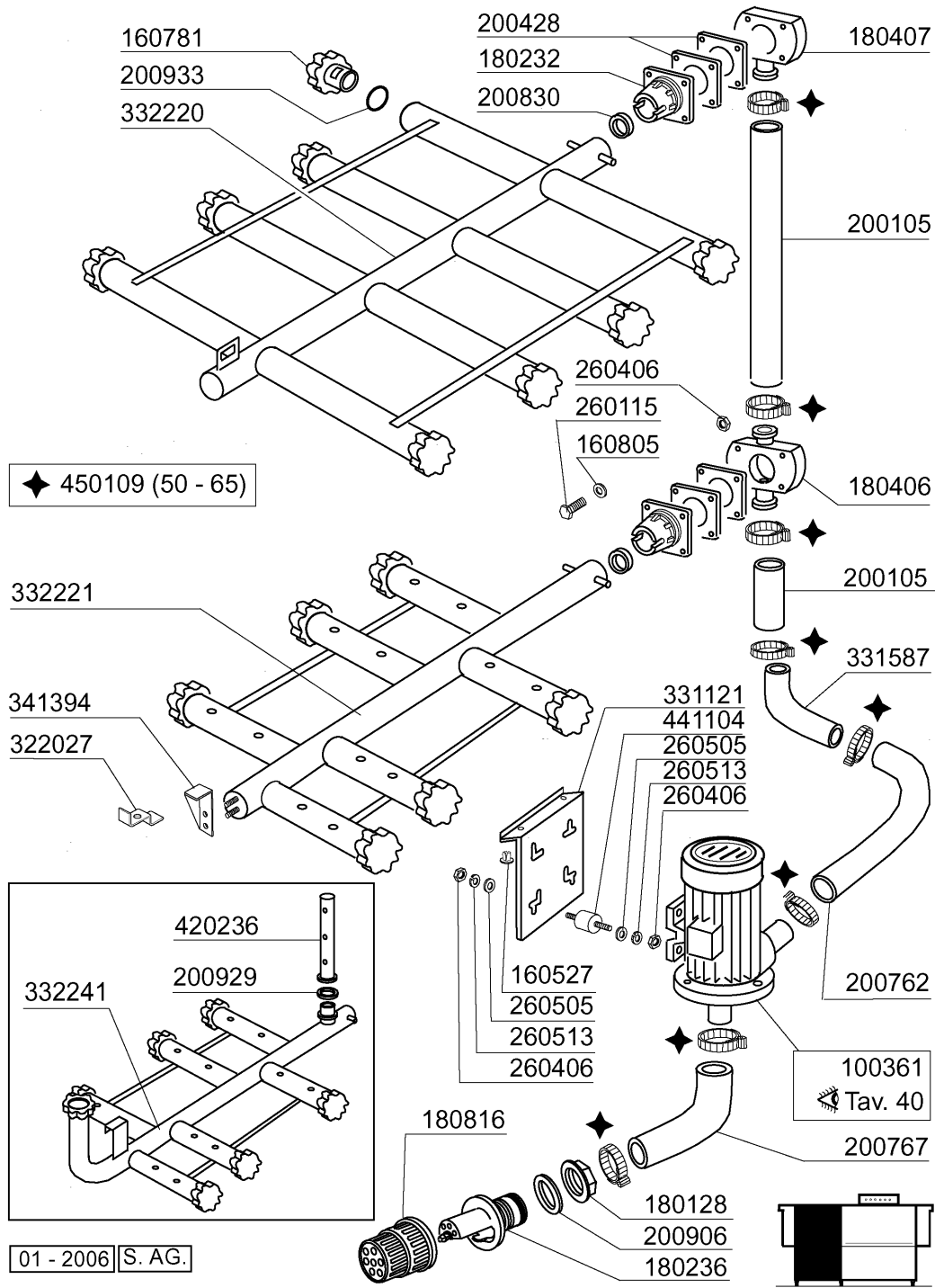
CODE	DESCRIPTION
160803	GASKET D.5
180630	DOUBLE SKINNED DOOR RUNNER -AC
190906	CURTAIN IN/OUT 620X480
200478	SELF-ADHESIVE GASKET 65X4
200905	SELFADHESIVE GASKET 4X35
210404	BLACK RUBBER FOOT S90 NE SE
210411	RIGHT PLUG FOR ACR/AC HANDLE
210412	LEFT PLUG FOR ACR/AC HANDLE
260129	SCREW TE M 5X20
260250	SCREW TB 5X20
260414	SELF-LOCKING NUT M5
260503	STAINL.STEEL FLAT WASHER D5 UN
322970	DOOR 900MM ACR NEW
331049	900MM DOOR HANDLE ACR
331116	DOOR SECURITY HOOK
331755	HOOK FOR DOOR SUPPORT
340422	SHAFT FOR CURTAIN AC-ACR
341016	BRAKET FOR DOOR SECURITY HOOK
350332	PREWASH PANEL
351290	FRONT PANEL ACR
620222	COMPLETE ALUMINIUM LEGS



11 - Prewash Tank 900mm

CODE	DESCRIPTION
110362	HEAT.ELEMENT 9000W 220/380V
120141	SOLEN.VALVE METAL.328000 D.1/2
120501	THERMOSTAT 30/90°C
160113	TUBE IN POL. RETIC. 12 EST
160201	ELBOW F.TANK INLET MOPLN
160709	KNOB OF MANIFOLD F. SOLEN. VAL
160777	OVERFLOW PIPE PLUG PREWASH AC-
161102	ELEMENT COVER MOPL.
161127	BOX FOR THERMOSTAT
161308	AIR CHAMBER C95-155
161311	HOSE FOR AIR CHAMBER BC-BR-AC9
180102	DRAIN PIPE NUT 1 1/2 F45-55
180109	LOCK NUT 1 1/2"
180126	HANDLE F.OVERFLOW PIPE SNL
180128	RING NUT 65,4 C140 C85
180227	FLANGE
190325	OVERFLOW CONNECTOR
190335	CONNECTION
191040	FRAME F.THERMOSTAT KNOB
200105	RUBBER HOSE 50X60
200129	HOSE 5X11 FOR PRESSURE SWITCH
200410	DRAIN OUTL.WASH.1 1/2"65X47X2
200412	GASKET DRAIN 1 1/2" 45X33X3
200469	STAND PIPE O RING 45X35,5X7
200491	BACK GASKET OF THERMOSTAT BOX
200814	O-RING 34,52X41,58X3,53
200815	O-RING F. HEAT.ELEM.
200906	GASKET D.92X66X2
200927	GASKET FOR AIR TRAP
250806	TANK FILL HOSE CLAMP - AC/ACR
260404	STAINLESS STEEL NUTS D6 UNI 55
270101	HEXAGON LOCK NUT 1/2"
270104	LOCK NUT 1" 1/2
270107	BRASS LOCK NUT 3/8" FL803
270121	NUT FOR AIR TRAP
270409	DRAIN OUTLET AC-ACR
280115	ELL 1/2"
280119	ELL MF 3/4"
290105	BRASS-TE-PLUG 1/2"
290215	1/2"BSP M/F UNION BRASS
290217	HOSE CLAMP ELBOW 12X3/8" TYPE
322255	CROSS PART F.FILTER SUPP.WASH
322256	CROSS PART F.FILTER SUPP.WASH
330526	FILTERS 22X28 SOLENOID V.MANIF
330584	WASH FILTER ACR
330585	PREWASH DRAWER FILTER AC-ACR
330910	FLANGE
342009	OVERFLOW SPACER WASH TANK AC-A
380831	OVERFLOW PIPE PREWASH TANK AC-
440907	SIPHON 1 1/2"
450128	CLAMP
450134	ELASTIC HOSE CLIP D.9,3/8,8
450135	CLAMP FE ZN. 44-56 H=12,2
450143	CLAMP D.39,7 X 37,7
450315	KNOB F. THERMOSTAT 90°
450515	STAINL.ST.SHIELD FOR 1 THERMOS
450518	THERMOSTAT SHIELD FOR SNL
450905	CAPIL.THERMOMETER D.52 1,5M
451127	ELASTIC PIN 5X34
460501	GASKET 24X17X2
460502	GASKET 30X21X2
630967	COIL V24/50HZ E/V 328002

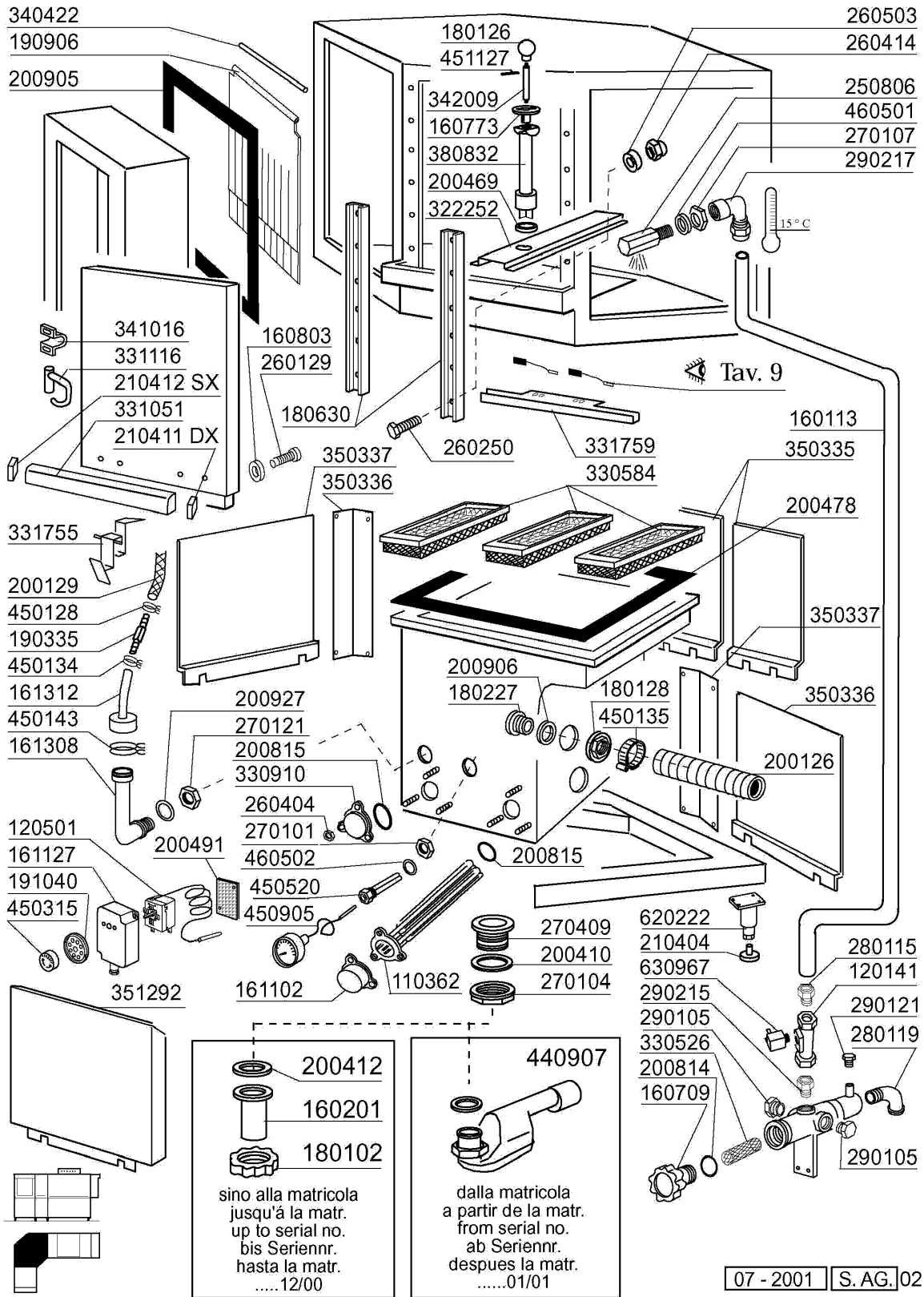
12 - Prewash Assembly 900mm



12 - Prewash Assembly 900mm

CODE	DESCRIPTION
100361	PUMP HP 2-220/380-50HZ-120404
160527	PLUG 14,5X2X8
160781	PLUG FOR COLLECTOR NEW AC
160805	GASKET D.8
180128	RING NUT 65,4 C140 C85
180232	WASH ARM FLANGE SNL
180236	PUMP SUCTION FOR AC-ACR-C155
180406	T-CONNECTOR F. WASHING S90-SNL
180407	ELBOW S90 S N L
180816	STRAINER OF INLET PUMP AC-ACR
200105	RUBBER HOSE 50X60
200428	GASKET 100X100X3 NEOTEN
200762	DELIVERY HOSE ACR
200767	OUTLET HOSE WASH ACR
200830	O-RING 37,3X44,5X3,6
200906	GASKET D.92X66X2
200929	ARM GASKET
200933	OR 24/32/4 FOR PLUG COLLECTOR
260115	STAIN.ST.TE SCREW 8X20 A2 UNI
260406	NUT 8MA
260505	STAINL.STEEL FLAT WASHER D8
260513	GROWER WASHER D8
322027	PIASTRA SOST.BRACCI LAV.AC
331121	FIXING PLATE FOR PUMP ACR
331587	DELIVERY ELBOW AC-ACR WASH
332220	CONNEC.ELBOW F.UPPER WASH 900M
332221	CONNECT.ELBOW F.LOWER LEFT W.9
332241	CONNEC.ELBOW F.LOWER+LAT.WASH
341394	WASH ARM AC SUPPORT
420236	BACK SIDE WASH ARM AC MACHINES
441104	VIBRATION-DAMPING FEET FOR ACR
450109	CLAMP 50-65

13 - Corner Wash Tank Components



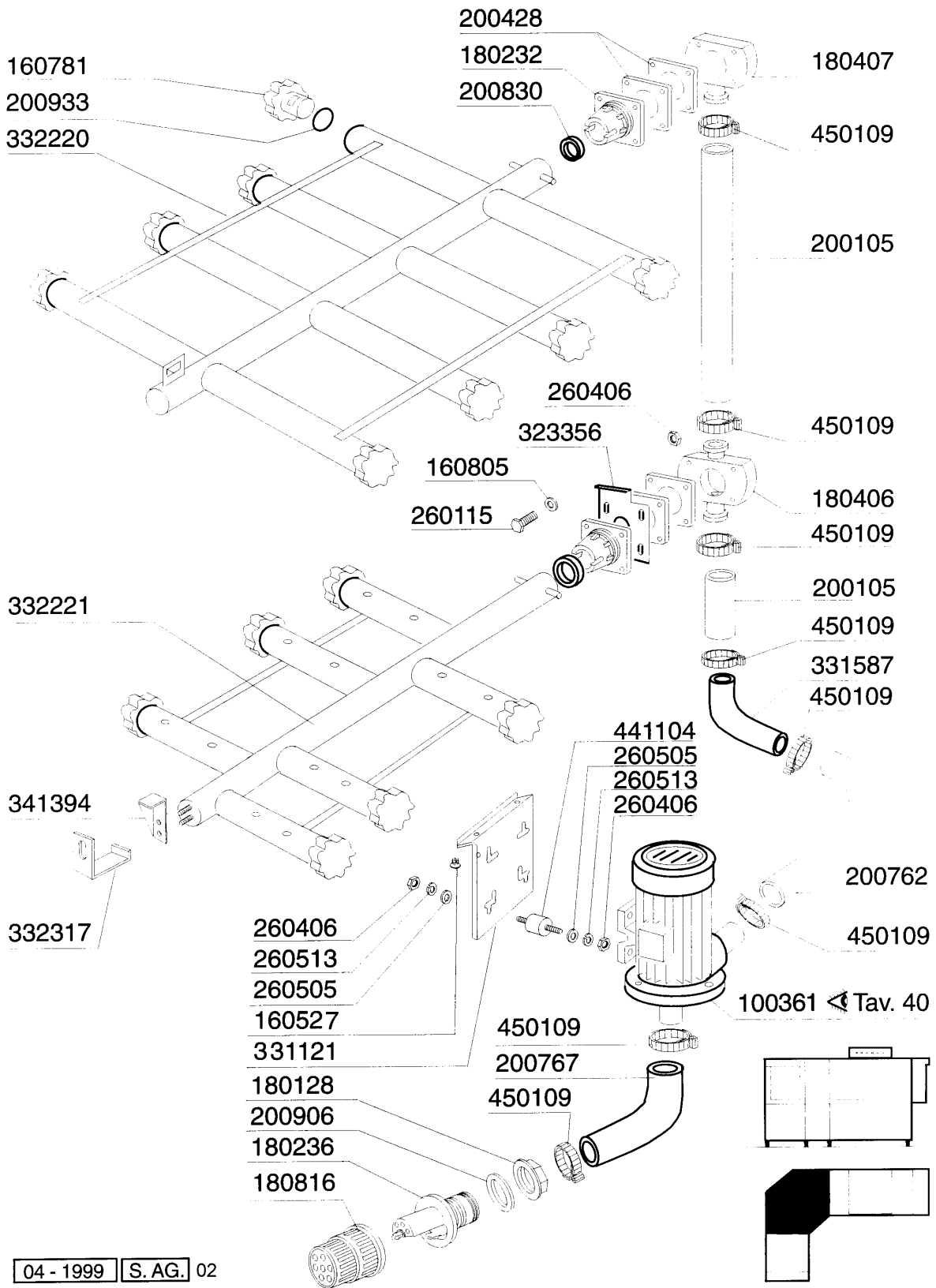
13 - Corner Wash Tank Components

CODE	DESCRIPTION
110362	HEAT.ELEMENT 9000W 220/380V
120141	SOLEN.VALVE METAL.328000 D.1/2
120501	THERMOSTAT 30/90°C
160113	TUBE IN POL. RETIC. 12 EST
160201	ELBOW F.TANK INLET MOPLN
160709	KNOB OF MANIFOLD F. SOLEN. VAL
160773	PLUG FOR OVERFLOW PIPE
160803	GASKET D.5
161102	ELEMENT COVER MOPL.
161127	BOX FOR THERMOSTAT
161308	AIR CHAMBER C95-155
161312	HOSE FOR PRESSURE SWITCH C95-1
180102	DRAIN PIPE NUT 1 1/2 F45-55
180126	HANDLE F.OVERFLOW PIPE SNL
180128	RING NUT 65,4 C140 C85
180227	FLANGE
180630	DOUBLE SKINNED DOOR RUNNER -AC
190335	CONNECTION
190906	CURTAIN IN/OUT 620X480
191040	FRAME F.THERMOSTAT KNOB
200126	RUBBER TUBE
200129	HOSE 5X11 FOR PRESSURE SWITCH
200410	DRAIN OUTL.WASH.1 1/2"65X47X2
200412	GASKET DRAIN 1 1/2" 45X33X3
200469	STAND PIPE O RING 45X35,5X7
200478	SELF-ADHESIVE GASKET 65X4
200491	BACK GASKET OF THERMOSTAT BOX
200814	O-RING 34,52X41,58X3,53
200815	O-RING F. HEAT.ELEM.
200905	SELFADHESIVE GASKET 4X35
200906	GASKET D.92X66X2
200927	GASKET FOR AIR TRAP
210404	BLACK RUBBER FOOT S90 NE SE
210411	RIGHT PLUG FOR ACR/AC HANDLE
210412	LEFT PLUG FOR ACR/AC HANDLE
250806	TANK FILL HOSE CLAMP - AC/ACR
260129	SCREW TE M 5X20
260250	SCREW TB 5X20
260404	STAINLESS STEEL NUTS D6 UNI 55
260414	SELF-LOCKING NUT M5
260503	STAINL.STEEL FLAT WASHER D5 UN
270101	HEXAGON LOCK NUT 1/2"
270104	LOCK NUT 1" 1/2
270107	BRASS LOCK NUT 3/8" FL803
270121	NUT FOR AIR TRAP
270409	DRAIN OUTLET AC-ACR
280115	ELL 1/2"
280119	ELL MF 3/4"
290105	BRASS-TE-PLUG 1/2"
290121	BRASS PLUG 1/8"
290215	1/2"BSP M/F UNION BRASS
290217	HOSE CLAMP ELBOW 12X3/8" TYPE
322252	SUPPORT
330526	FILTERS 22X28 SOLENOID V.MANIF
330584	WASH FILTER ACR
330910	FLANGE
331051	600MM DOOR HANDLE AC/ACR
331116	DOOR SECURITY HOOK
331755	HOOK FOR DOOR SUPPORT
331759	SUPPORT
340422	SHAFT FOR CURTAIN AC-ACR
341016	BRACKET FOR DOOR SECURITY HOOK

13 - Corner Wash Tank Components

CODE	DESCRIPTION
342009	OVERFLOW SPACER WASH TANK AC-A
350335	PANEL
350336	PANEL
350337	BACK PANEL
351292	FRONT PANEL ACR
380832	OVERFLOW PIPE WASH TANK AC-ACR
440907	SIPHON 1"1/2
450128	CLAMP
450134	ELASTIC HOSE CLIP D.9,3/8,8
450135	CLAMP FE ZN. 44-56 H=12,2
450143	CLAMP D.39,7 X 37,7
450315	KNOB F. THERMOSTAT 90°
450520	THERMOSTAT SHIELD FOR 3 THERMO
450905	CAPIL.THERMOMETER D.52 1,5M
451127	ELASTIC PIN 5X34
460501	GASKET 24X17X2
460502	GASKET 30X21X2
620222	COMPLETE ALUMINIUM LEGS
630967	COIL V24/50HZ E/V 328002

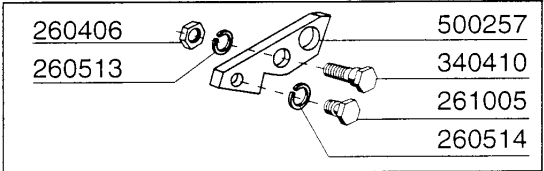
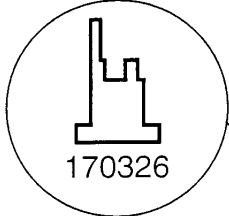
14 - Corner Wash Assembly



04 - 1999 S. AG. 02

14 - Corner Wash Assembly

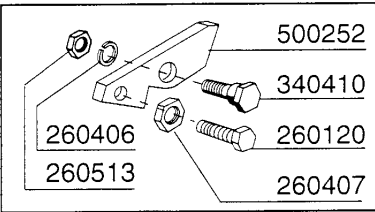
CODE	DESCRIPTION
100361	PUMP HP 2-220/380-50HZ-120404
160527	PLUG 14,5X2X8
160781	PLUG FOR COLLECTOR NEW AC
160805	GASKET D.8
180128	RING NUT 65,4 C140 C85
180232	WASH ARM FLANGE SNL
180236	PUMP SUCTION FOR AC-ACR-C155
180406	T-CONNECTOR F. WASHING S90-SNL
180407	ELBOW S90 S N L
180816	STRAINER OF INLET PUMP AC-ACR
200105	RUBBER HOSE 50X60
200428	GASKET 100X100X3 NEOTEN
200762	DELIVERY HOSE ACR
200767	OUTLET HOSE WASH ACR
200830	O-RING 37,3X44,5X3,6
200906	GASKET D.92X66X2
200933	OR 24/32/4 FOR PLUG COLLECTOR
260115	STAIN.ST.TE SCREW 8X20 A2 UNI
260406	NUT 8MA
260505	STAINL.STEEL FLAT WASHER D8
260513	GROWER WASHER D8
323356	REGULAT. LOWER ARM BRACKET AC
331121	FIXING PLATE FOR PUMP ACR
331587	DELIVERY ELBOW AC-ACR WASH
332220	CONNEC.ELBOW F.UPPER WASH 900M
332221	CONNECT.ELBOW F.LOWER LEFT W.9
332317	BRACKET
341394	WASH ARM AC SUPPORT
441104	VIBRATION-DAMPING FEET FOR ACR
450109	CLAMP 50-65



321755

191017

321754



260414
260511

510302

322474

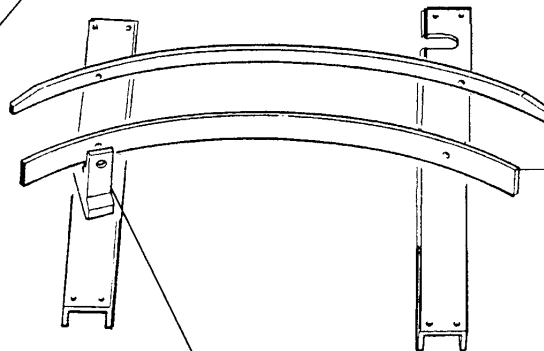
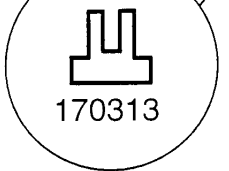
440108

341235

451004

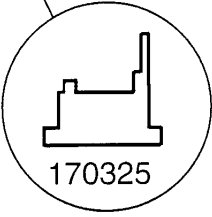
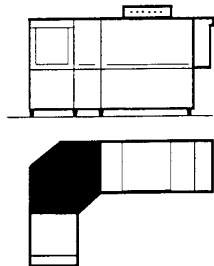
321756

261007



321752

321753



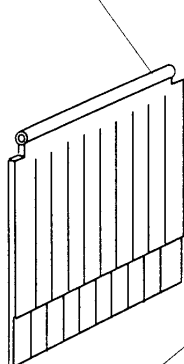
10 - 1998 | S.AG.01

15 - Corner Drive Guide

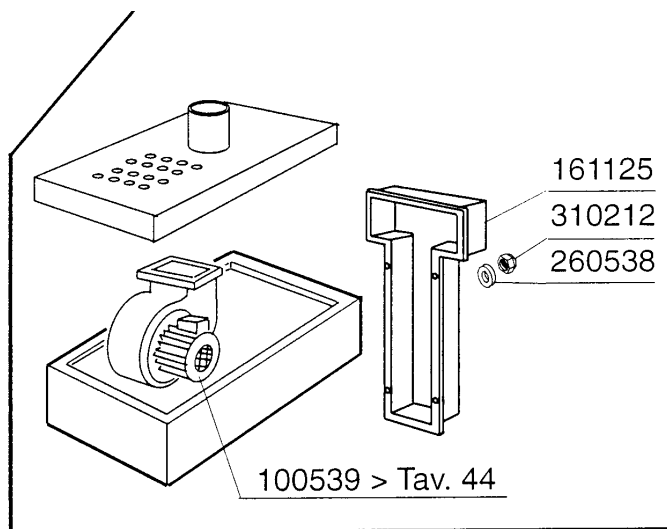
CODE	DESCRIPTION
170313	FRICITION PAD
170325	INT. GUIDE SUPPORT SE CORNER
170326	EXT.GUIDE SUPPORT SE CORNER
191017	ANTIFRICT.COVER F.EXT.GUIDE CO
260120	SCREW TE 10X20
260406	NUT 8MA
260407	STAINLESS STEEL NUTS D10 UNI 5
260414	SELF-LOCKING NUT M5
260511	GROWER WASHER D.5
260513	GROWER WASHER D8
260514	GROWER WASHER D.10
261005	SCREW F. TEE UP.WASH F2-B41
261007	SPECIAL SCREW 5M
321752	GUIDE
321753	GUIDE
321754	GUIDE
321755	GUIDE
321756	GUIDE
322474	PAWL BAR GUIDE WASH AC
340410	PAWL PINS (WASH) STAINLESS STE
341235	PIVOT PIN SE
440108	WHEEL F.CENTRAL SLIDING
451004	STAINL.ST COTTER PIN 2,5X30
500252	PAWLS FOR WASHING /ACR CORNER
500257	PAWL FOR CORNER VERS.MACHINE
510302	GUIDE FOR WHEEL SE

16 - Side Loading Table/Vent Hood

340422
190906



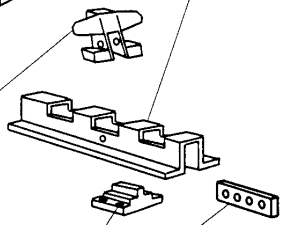
322469 (600)
322464 (700)



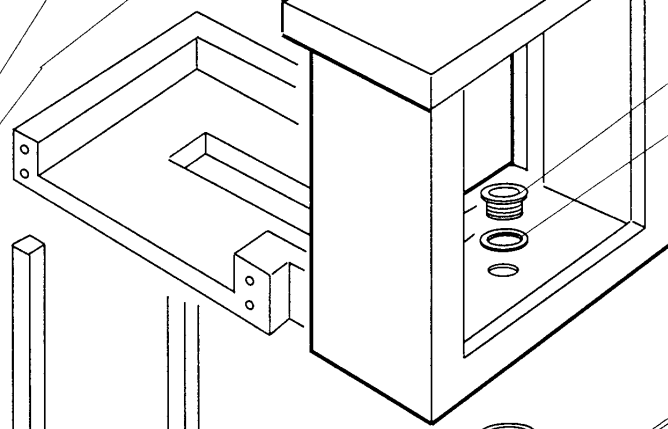
161125
310212
260538

100539 > Tav. 44

510426

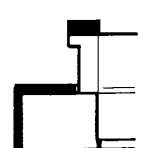


451002
260504
342020
190145
322196

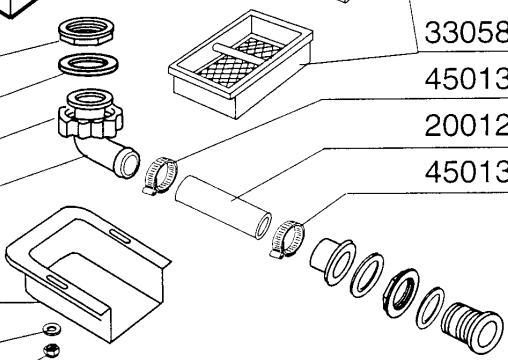


160301
200410
331489

160753
440201



180109
200412
180102
160203



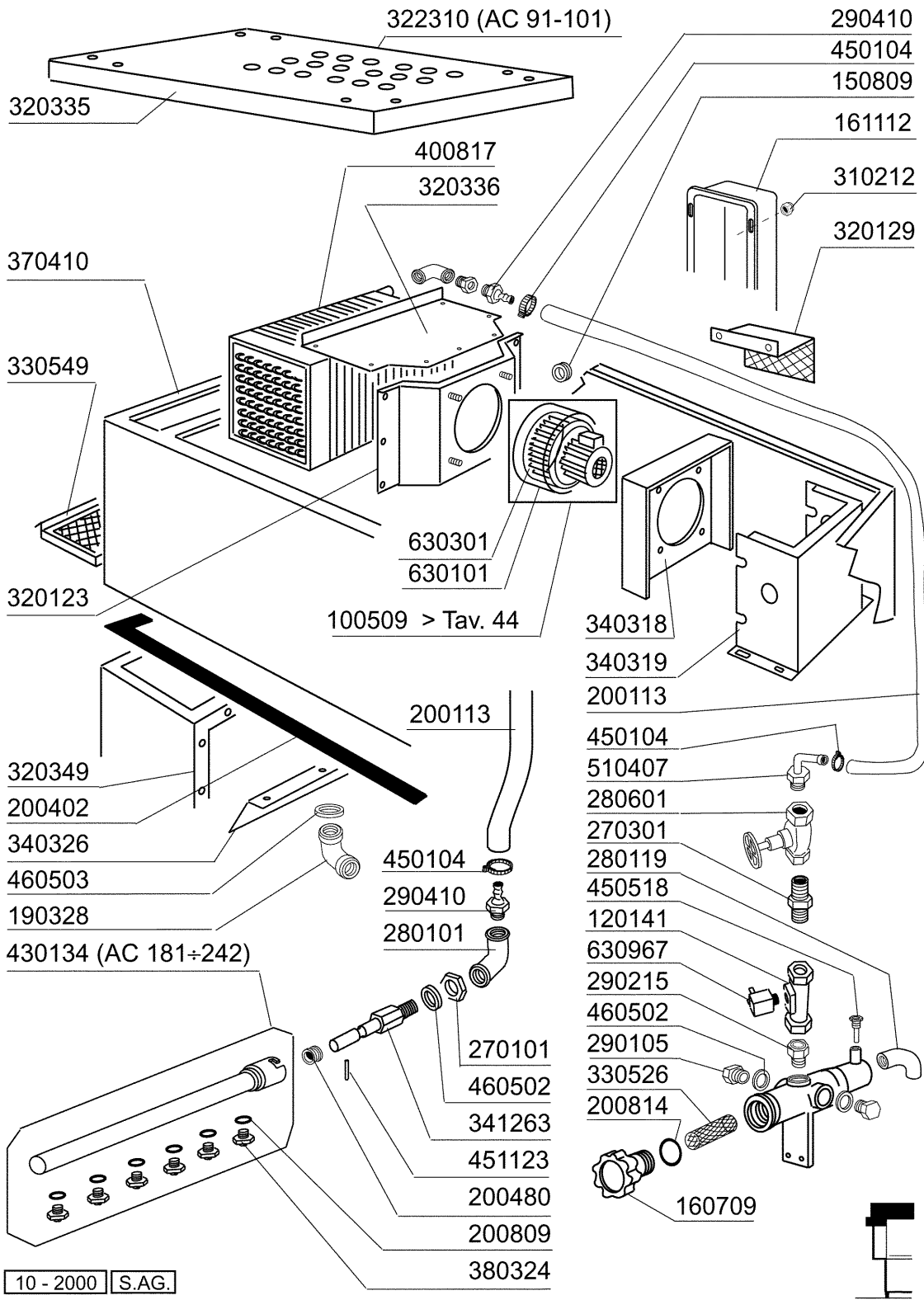
330581
450135
200127
450135

161128
260538
310212

10 - 1998 S.A.G.

16 - Side Loading Table/Vent Hood

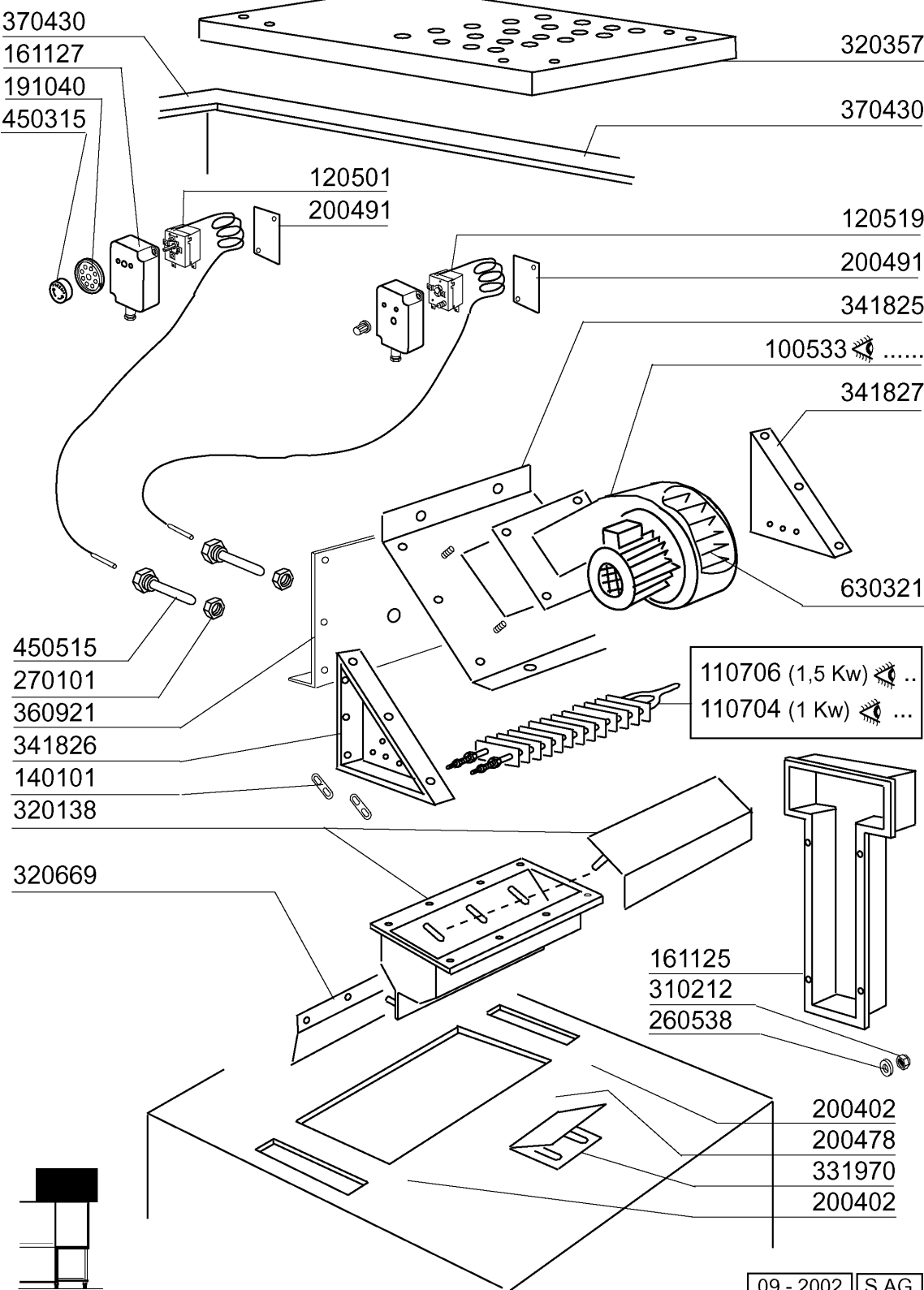
CODE	DESCRIPTION
100539	EXHAUST FAN F.SPLASH GUARD 220
160203	ELBOW 1"1/2 N-S-F-C /DRAIN
160301	DRAIN OUTLET 1"1/2 C-S-N
160753	PLUG 40X40X1
161125	BACK COVER CHANNEL S NL
161128	SPLASH HOOD DRAIN PROTECTION A
180102	DRAIN PIPE NUT 1"1/2 F45-55
180109	LOCK NUT 1 1/2"
190145	SUPPORT F.PAWL BAR GUIDE AC
190906	CURTAIN IN/OUT 620X480
200127	PVC HOSE D.35
200410	DRAIN OUTL.WASH.1 1/2"65X47X2
200412	GASKET DRAIN 1 1/2" 45X33X3
260504	ST/ST FLAT WASHER D6
260538	WASHER 18X6X1,5 ST/ST
310212	BLIND NUT M6 BLACK NYLON
322196	BRACKET
322464	PAWL BAR GUIDE 700MM
322469	PAWL BAR GUIDE 600MM AC
330581	DRAWER FILTER EXTENTION HOODS
331489	BRACKET
340422	SHAFT FOR CURTAIN AC-ACR
342020	PIN
440201	RUBBER FOOT D.60X10
450135	CLAMP FE ZN. 44-56 H=12,2
451002	COTTER PIN STAINL.ST. D2X12
510426	PAWL /CORNER LOAD.



17 - Steam Condenser

CODE	DESCRIPTION
100509	FAN 0,75HP 220/415 V164/2
120141	SOLE.N.VALVE METAL.328000 D.1/2
150809	GUMMED CABLE HOLDER D.24
160709	KNOB OF MANIFOLD F. SOLEN. VAL
161112	BACK COVER CHANNEL 300 S N
190328	DRAIN 3/4"
200113	RUBBER HOSE 12 X 22
200402	SELF-ADHES.RUBB.SPONGE STRIPS
200480	GASKET F. RINSE CONNECT.
200809	OR GASKET 1,78X8,73X12,29
200814	O-RING 34,52X41,58X3,53
270101	HEXAGON LOCK NUT 1/2"
270301	BRASS NIPPLES 1/2"
280101	CRANK F.F 1/2"
280119	ELL MF 3/4"
280601	GATE VALVE 1/2" BRASS
290105	BRASS-TE-PLUG 1/2"
290215	1/2"BSP M/F UNION BRASS
290410	NIPPLE 1/2"
310212	BLIND NUT M6 BLACK NYLON
320123	VORTEX BREAKER F.STEAM CONDENS
320129	VORTEX BREAKER F.STEAM CONDENS
320335	TOP PANEL FOR STEAM CONDENSER
320336	TOP PANEL FOR STEAM CONDENSER
320349	TOP FOR SPLASH HOOD WITH STEAM
322310	TOP PANEL FOR STEAMCONDENSER
330526	FILTERS 22X28 SOLENOID V.MANIF
330549	CONDENSATE UNIT FILTER
340318	PANEL
340319	PANEL
340326	PANEL
341263	PIN
370410	CONDENSER MODULE
380324	RINSE JETS 52,5 80Ø OV1/8"
400817	BATTERY FOR STEAM CONDENSER +
430134	RINSE ARM WITH CONNECTION NE
450104	CLAMP FE ZN H=12,5 15-24
450518	THERMOSTAT SHIELD FOR SNL
451123	ELASTIC PIN 4X16
460502	GASKET 30X21X2
460503	SEALING WASHER 38X27X2(3/4)
510407	NIPPLE FOR BOILER N S
630101	ZINC VOLUTE CB62
630301	FAN IMPELLOR FOR 100509
630967	COIL V24/50HZ E/V 328002

18 - Blower Dryer - electric version

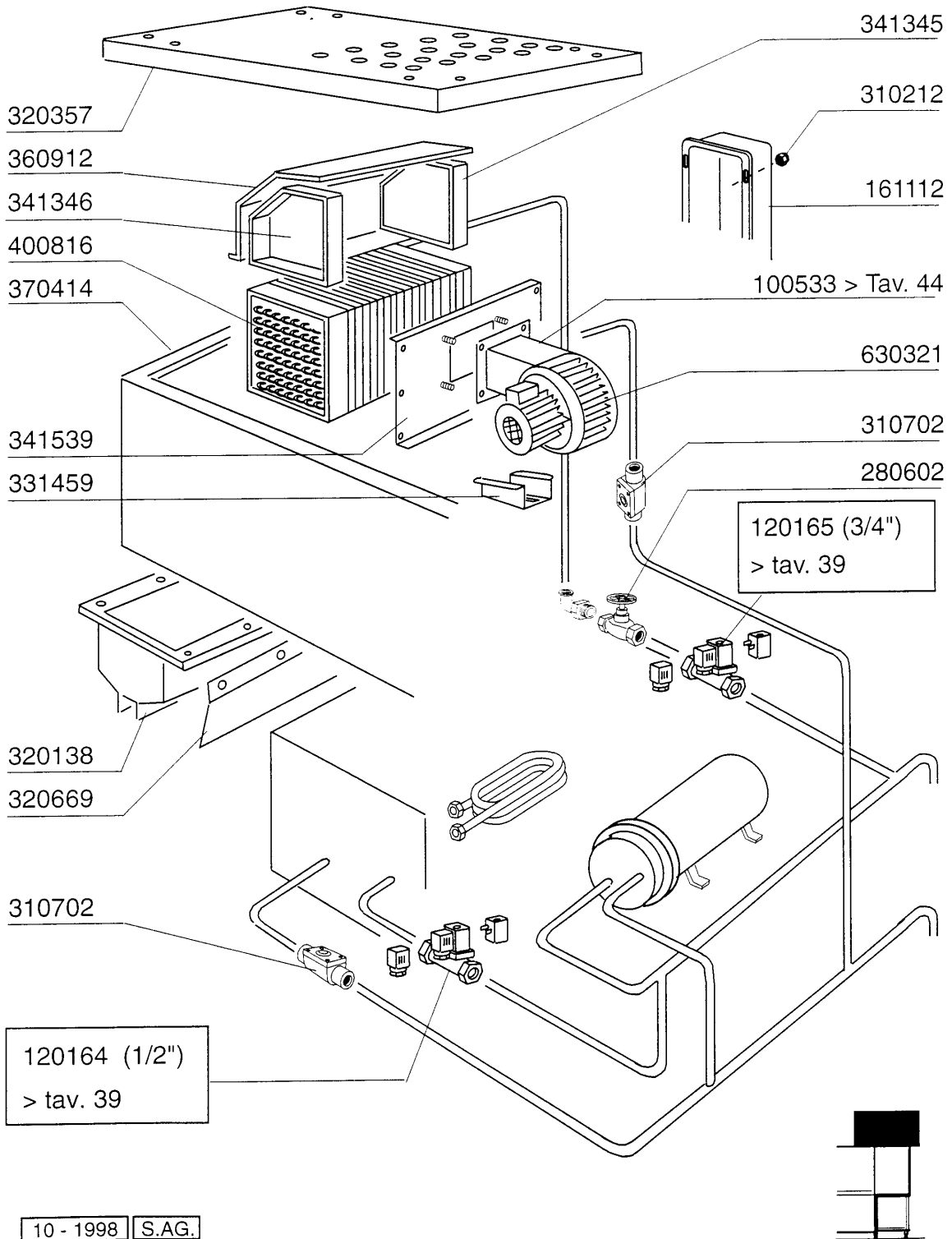


09 - 2002 S.A.G.

18 - Blower Dryer - electric version

CODE	DESCRIPTION
100533	FAN HP 1 220-240-380-415V VRP2
110704	HEAT.ELEMENT/DRYING 1000W 220V
110706	DRYER HEAT.ELEMENT 1500W 230V
120501	THERMOSTAT 30/90°C
120519	SECURITY THERMOSTAT 95-125°C
140101	BRASS CONNECT. PLATE HEAT.ELEM
161125	BACK COVER CHANNEL S NL
161127	BOX FOR THERMOSTAT
191040	FRAME F.THERMOSTAT KNOB
200402	SELF-ADHES.RUBB.SPONGE STRIPS
200478	SELF-ADHESIVE GASKET 65X4
200491	BACK GASKET OF THERMOSTAT BOX
260538	WASHER 18X6X1,5 ST/ST
270101	HEXAGON LOCK NUT 1/2"
310212	BLIND NUT M6 BLACK NYLON
320138	DEFLECTOR F. DRYER
320357	DRYER COVER
320669	FIXING PLATE
331970	FAN SUPPORT
341825	DRYER FAN SUPPORT
341826	RIGHT SUPPORT
341827	LEFT SUPPORT
360921	BACK PANEL FOR DRYER 3-4,5KW
370430	HOUSING
450315	KNOB F. THERMOSTAT 90°C
450515	STAINL.ST.SHIELD FOR 1 THERMOS
630321	FAN IMPELLOR FOR C 100533 1HP

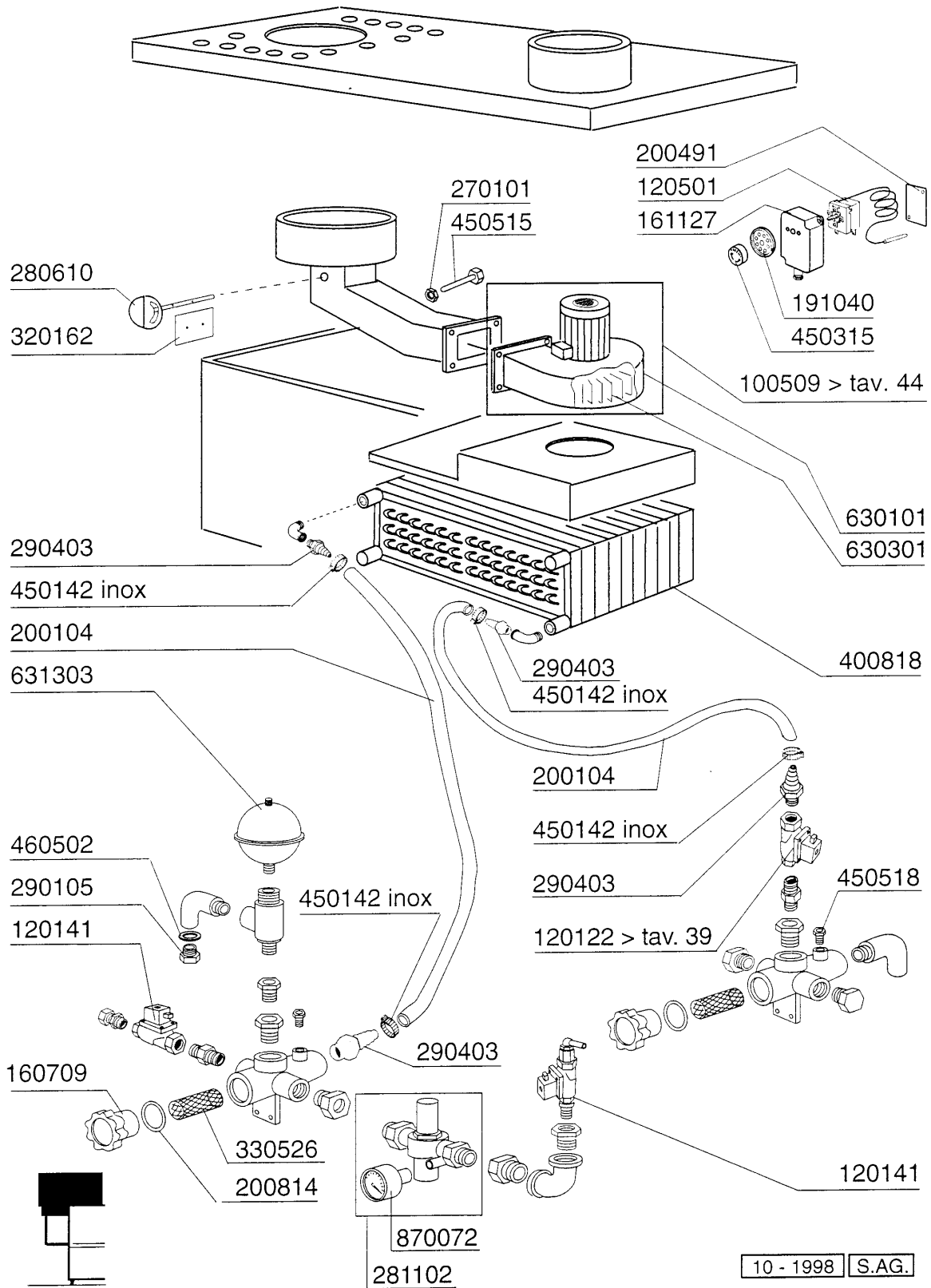
19 - Steam Blower Dryer



19 - Steam Blower Dryer

CODE	DESCRIPTION
100533	FAN HP 1 220-240-380-415V VRP2
120164	SOLE.N.VALVE ST.24V50HZ 1/2"
120165	SOLE.N.VALVE ST.24V50HZ 3/4"
161112	BACK COVER CHANNEL 300 S N
280602	GATE VALVE 3/4" BRASS
310212	BLIND NUT M6 BLACK NYLON
310702	STEAM TRAP 1/2" MK 25/3
320138	DEFLECTOR F. DRYER
320357	DRYER COVER
320669	FIXING PLATE
331459	BRACKET FOR DRYING VENTILATOR
341345	RIGHT PANEL
341346	LEFT PANEL
341539	INSULATED HOOD F.PREWASH 600MM
360912	BACK PANEL
370414	DRYING MODULE
400816	BATTERY FOR DRYING (6KW) S
630321	FAN IMPELLOR FOR C 100533 1HP

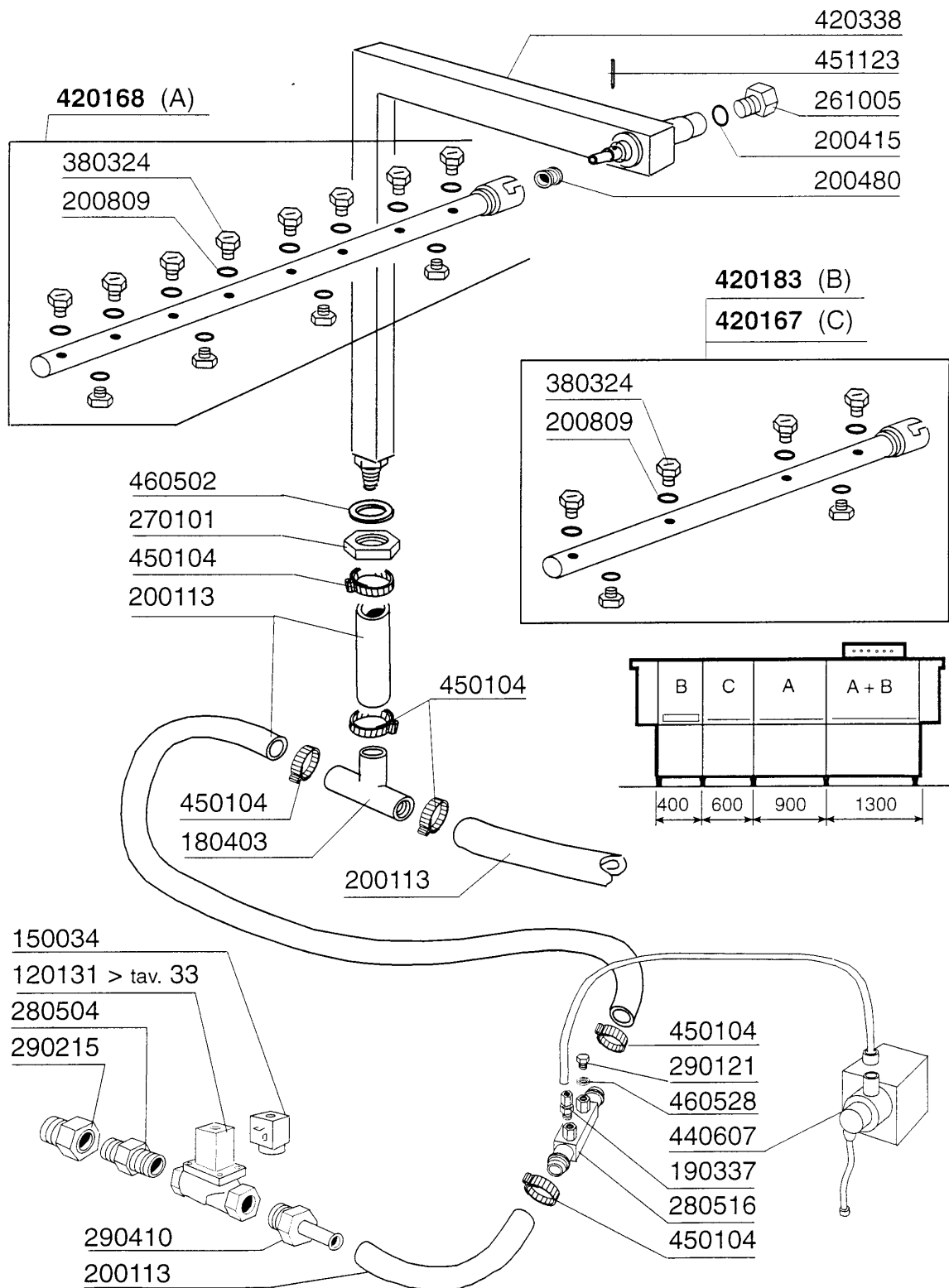
20 - Heat Recovery Unit Compact



10 - 1998 S.A.G.

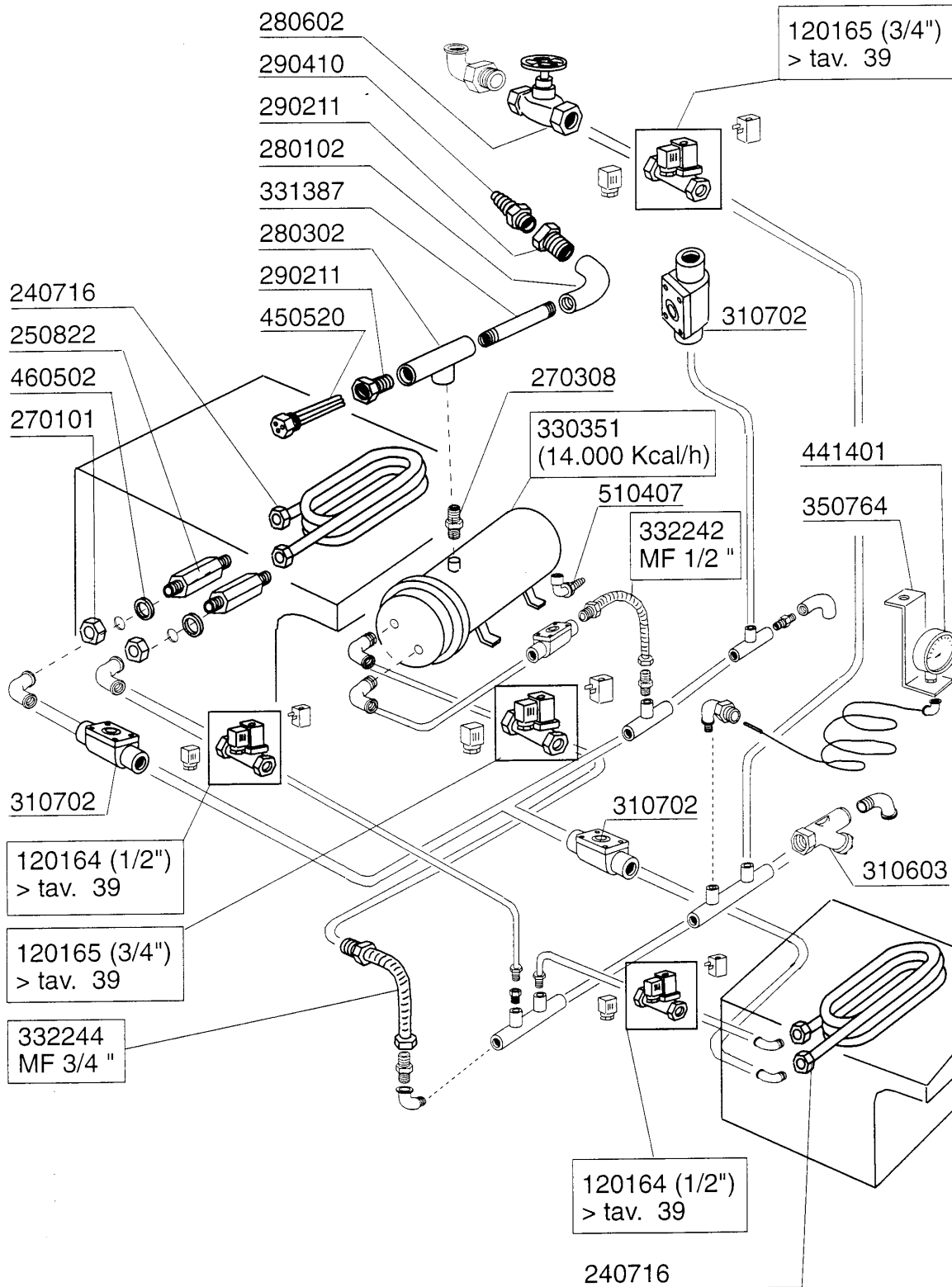
20 - Heat Recovery Unit Compact

CODE	DESCRIPTION
100509	FAN 0,75HP 220/415 V164/2
120122	SOLENOID VALVE 3/4 24V L180Q17
120141	SOLEN.VALVE METAL.328000 D.1/2
120501	THERMOSTAT 30/90°C
160709	KNOB OF MANIFOLD F. SOLEN. VAL
161127	BOX FOR THERMOSTAT
191040	FRAME F.THERMOSTAT KNOB
200104	DISCHARGE HOSE 20X30
200491	BACK GASKET OF THERMOSTAT BOX
200814	O-RING 34,52X41,58X3,53
270101	HEXAGON LOCK NUT 1/2"
280610	VALVE FOR HEAT RECOVERY UNIT
281102	1/2" ADJ VALVE C/W GAUGE TYPE
290105	BRASS-TE-PLUG 1/2"
290403	NIPPLE M.3/4" BRASS
320162	BREAKER
330526	FILTERS 22X28 SOLENOID V.MANIF
400818	BATTERY FOR HRU (SMALL)
450142	CLAMP FE ZN. 22-32 H=12,2
450315	KNOB F. THERMOSTAT 90°
450515	STAINL.ST.SHIELD FOR 1 THERMOS
450518	THERMOSTAT SHIELD FOR SNL
460502	GASKET 30X21X2
630101	ZINC VOLUTE CB62
630301	FAN IMPELLOR FOR 100509
631303	HYDRAULIC AIR VESSEL FOR HEAT
870072	PRESSURE CAUGE 0-4 ATM



21 - Sanitizing system

CODE	DESCRIPTION
120131	SOLE. L182Q31-ZB10A 1/2"24V
150034	CONNEC.F.SOLEN.VALVE 122.09.N
180403	TEE-NIPPLE F2-F300-B10-11
190337	CONNECTION 1/4" X 1/8"
200113	RUBBER HOSE 12 X 22
200415	AIR TRAP GASKET -F2 18,5X10X3
200480	GASKET F. RINSE CONNECT.
200809	OR GASKET 1,78X8,73X12,29
261005	SCREW F. TEE UP.WASH F2-B41
270101	HEXAGON LOCK NUT 1/2"
280504	MANIFOLD CONN.HOSE
280516	CONNECTION 14M X 2
290121	BRASS PLUG 1/8"
290215	1/2"BSP M/F UNION BRASS
290410	NIPPLE 1/2"
380324	RINSE JETS 52,5 80Ø OV1/8"
420167	WASH ARM FOR SELF CLEANING
420168	WASH ARM FOR SELF CLEANING
420183	SHORT WASH ARM FOR SELF CLEANI
420338	SELFCLEANING RAMP NE
440607	INJECTOR 24V 50HZ
450104	CLAMP FE ZN H=12,5 15-24
451123	ELASTIC PIN 4X16
460502	GASKET 30X21X2
460528	GASKET 15X10X2 FOR RINSE NIPPE



CODE	DESCRIPTION
120164	SOLE.N.VALVE ST.24V50HZ 1/2"
120165	SOLE.N.VALVE ST.24V50HZ 3/4"
240716	STEAM COIL G66-S3
250822	EXTENSION 1/2"
270101	HEXAGON LOCK NUT 1/2"
270308	NIPPLES 3/4"
280102	ELL FF 3/4"
280302	HOSE CLAMPS STRAIGHT 3/4"
280602	GATE VALVE 3/4" BRASS
290211	NIPPLE 3/4"-1/2" (270311)
290410	NIPPLE 1/2"
310603	STRAINERS JU 1" MOD.45
310702	STEAM TRAP 1/2" MK 25/3
330351	STEAM BOILER 14000 KCAL/H
331387	HOSE 3/4"
332242	HOSE 1/2"-130X220-
332244	HOSE 3/4"-130X220-
350764	BRACKET
441401	PRESSURE GAUGE 60 SCALO-4CR1/4
450520	THERMOSTAT SHIELD FOR 3 THERMO
460502	GASKET 30X21X2
510407	NIPPLE FOR BOILER N S

ELETTROVALVOLA VAPORE - ELECTROVANNE VAPEUR - STEAM SOLENOID VALVE - DAMPF-VENTIL
ELECTROVALVULA VAPOR

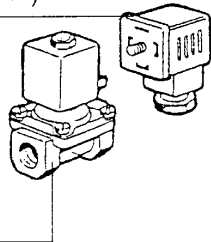
150034 (1/2")

150033 (1" - 3/4")

120164 (1/2")

120165 (3/4")

120166 (1")



630976 (1")

630972 (1/2" - 3/4")

630627 (1/2")

630628 (3/4")

630629 (1")

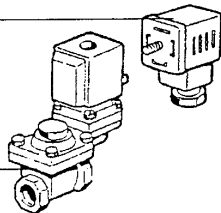


0 ÷ 2 bar

150033

120163 (1")

120162 (3/4")

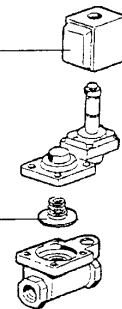


630972 (1")

630973 (3/4")

630626 (1")

630625 (3/4")

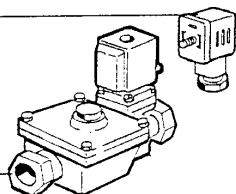


0,5 ÷ 2,5 bar

ELETTROVALVOLA ACQUA - ELECTROVANNE EAU - WATER SOLENOID VALVE - WASSER-VENTIL
ELECTROVALVULA AGUA

150034

120122 (3/4")



630948

630609

L180Q17



PER RECUPERATORE DI CALORE - POUR ECONOMISEUR D'ENERGIE
FÜR WÄRMERÜCKGEWINNUNG - FOR HEAT RECOVERY UNIT - PARA RECUPERADOR DE CALOR

23 - Solenoid Valve

CODE	DESCRIPTION
120122	SOLENOID VALVE 3/4 24V L180Q17
120162	SOLENOID VALVE L145R1Z734A 3/4
120163	SOLEN.VAL.ST.L145R1Z234A 1"24V
120164	SOLEN.VALVE ST.24V50HZ 1/2"
120165	SOLEN.VALVE ST.24V50HZ 3/4"
120166	STEAM SOLEN.VALVE 1" 24V-50
150033	CONNEC.F.SOLEN.VALVE 182.09.N
150034	CONNEC.F.SOLEN.VALVE 122.09.N
630609	DIAPHRAGM L180Q17-3/4
630625	KIT F.SOLEN.VALVE
630626	KIT FOR SOLENOID VALVE 145 1"
630627	KIT F.SOLEN.V. L153D1 1/2"
630628	KIT F.SOLEN.V.L153D1 3/4"
630629	KIT SOLENOID VALVE 1" STEAM L1
630948	COIL Z610A 24V 50/60-L180V01
630972	COIL Z534A/V.24-L145A-3/4
630973	COIL Z614A/V.24-L145-3/4 A
630976	COIL Z114A/V24/50HZ L153-1"

POMPA PRELAVAGGIO - PREWASH PUMP
 POMPE PRELAVAGE - VORSPÜLUNG PUMPE
 BOMBA PRELAVADO - **400 - HP 0,2 / Kw 0,15** (4226)

INOX ø 60 (60 Hz)
 631675 ø 72 (50 Hz)

630235
 630511
 630416

100647 220/240/380/415 V 50 Hz-3
 100669 240/240/380/415 V 60 Hz-3

POMPA PRELAVAGGIO - PREWASH PUMP
 POMPE PRELAVAGE - VORSPÜLUNG PUMPE
 BOMBA PRELAVADO - **600 - HP 1,5 / Kw 1,1** (1219)

631643 (60 Hz)
 631656 (50 Hz)

630214
 630523
 630303
 630410
 630219

100386 220/380/240/415 V 50 Hz
 100611 220/380 V 60 Hz

POMPA LAVAGGIO - WASH PUMP
 POMPE LAVAGE - WASCHPUMPE
 BOMBA LAVADO - **HP 2 / Kw 1,5** (1204)

631618 (50 Hz)
 631647 (60 Hz)

630501
 630216
 630306
 630411
 630223

100361 (220/380 V 50 Hz)
 (240/415 V 50 Hz)
 100605 (220/380 V 60 Hz)
 100613 (250/440 V 60 Hz)

POMPA LAVAGGIO - WASH PUMP
 POMPE LAVAGE - WASCHPUMPE
 BOMBA LAVADO - **HP 3 / Kw 2,2** (1205)

631620 (50 Hz)
 631647 (60 Hz)

630501
 630216
 630325
 630411
 630223

100674 (220/380 V 50 Hz)
 (240/415 V 50 Hz)
 100690 (220/380 V 60 Hz)
 (250/440 V 60 Hz)

POMPA ECORINSE - ECORINSE PUMP
 POMPE ECORINSE - DOPPELNACHSPÜLUNG PUMPE
 BOMBA ECORINSE - **HP 0,2 / Kw 0,15** (4226)

631687 INOX ø 64 (50 Hz)

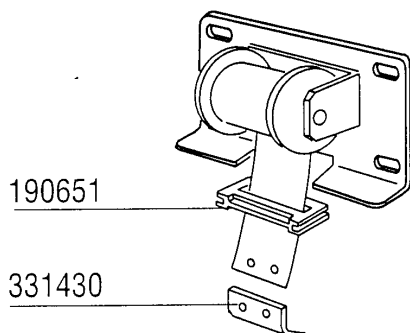
630235
 630511
 630416

100754 (220/380 V 50 Hz)

COMPONENTI ELETTRICI POMPE - COMPOSANTS ELECTRIQUES POMPES - ELECTRICAL PARTS FOR PUMPS - ELEKTRISCHE TEILE FÜR PUMPEN - PIEZOS ELECTRICOS PARA BOMBAS													
220 / 240 V						380 / 415 V							
POMPA - POMPE PUMP - PUMPE BOMBA		FUSIBILI - FUSIBLE - FUSE SCHMELZSICHERUNG FUSIBLE		TELERUTTORE - CONTACTEUR CONTACTOR - SCHALTSCHUTZ CONTACTOR		TERMICA - TERMIQUE OVERLOAD RELAY TERMOAUSLÖSER - TERMICO		FUSIBILI - FUSIBLE - FUSE SCHMELZSICHERUNG FUSIBLE		TELERUTTORE - CONTACTEUR CONTACTOR - SCHALTSCHUTZ CONTACTOR		TERMICA - TERMIQUE OVERLOAD RELAY TERMOAUSLÖSER - TERMICO	
HP	Kw	A	cod.	A	cod.	A	cod.	A	cod.	A	cod.	A	cod.
0,2	0,15	4	130230	9	120468	1,00 + 1,4	120860	2	130260	9	120468	0,4 + 0,63	120858
1,5	1,1	8	130232	9	120468	4,5 + 6,5	120864	4	130230	9	120468	2,8 + 4	120863
2	1,5	8	130232	9	120468	6 + 8,5	120865	6	130231	9	120468	4,5 + 6,5	120864
3	2,2	12	130234	9	120468	7,5 + 11	120866	6	130231	9	120468	4,5 + 6,5	120864

CODE	DESCRIPTION
100361	PUMP HP 2-220/380-50HZ-120404
100386	PUMP HP 1,5 220/380/50 1219
100605	PUMP HP 2 380/3/60HZ 1204
100611	PUMP HP 1,5 380/3/60HZ F1219
100613	PUMP HP 2 440/3/60HZ 1204
100647	PUMP HP 0,20 220/240/3 4226
100669	PUMP HP 0,12 220/380 60HZ C16
100674	PUMP HP 3 V.220-415-50HZ-1205
100690	PUMP 2,7HP 220/380 60HZ 1205
100754	PUMP HP 0,2-220/380 50HZ 4226
120468	CONTACTOR ABB 9A 24V 50/60HZ
120858	OVERLOAD RELAY ABB 0,4-0,63A
120860	OVERLOAD RELAY ABB 1-1,4A
120863	OVERLOAD RELAY ABB 2,8-4A
120864	OVERLOAD RELAY ABB 4,5-6,5A
120865	OVERLOAD RELAY ABB 6-8,5A
120866	OVERLOAD RELAY ABB 7,5-11A
130230	FUSE 10,3X38 4A AM13004
130231	FUSE 10,3X38 6A AM13006
130232	FUSE 10,3X38 8A AM13008
130234	FUSE 10,3X38 12A AM13012
130260	FUSE 10,3X38 2A AM 13001
630113	VOLUTE FIR HP0,5-1,55
630114	VOLUTE FI HP2-2,7-3-3,2
630125	VOLUTE 0,12/0,3(2212-29)
630214	FLANGE PUMP HP0,75-1-1,5
630216	FAN HOUSING FIR HP 2-3
630219	FAN HOUSING FIR HP.0,75-1
630223	BACK PLATE PUMP HP2-3-3,2
630235	PUMP COVER 0,12/0,3 2212-19
630303	FAN IMPELL.OF PUMP HP 0,5-0,7
630306	PUMP FAN IMPELLOR FI HP.2-3
630325	COOLING FAN F.PUMP 1219/2241
630410	O-RING PUMP FI HP0,5-0,75-1
630411	O-RING PUMP FI HP 2-2,7
630416	OR FOR VOLUTE 0,12/0,3
630501	SEAL FOR PUMP HP 2-3-3,2
630511	PUMP SEAL HP 0,10 82
630523	SEAL FOR PUMP FIR1219
631618	IMPELLER PUMP F HP2-D.116,5
631620	IMPELLER HP 3-3,2 1205-43
631643	IMPELLER HP1/1,5 60HZD.90-1219
631647	IMPELLER D.100-60HZ-1204/5
631656	PUMP IMPELLER 1HP - 2255
631675	ST/ST PUMP IMPELLER 0,2HP 2226
631687	IMPELLER FOR PUMP 100754

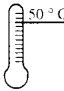

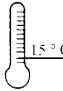

25 - Spring For Counterbalancing doors

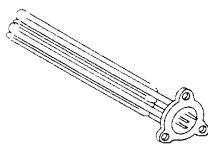


Cod.		391309	391318	391331	391332
		Kg 4	Kg 4,5	Kg 5	Kg 5,5
Tipo porta Type porte Door type Türtyp Modelo puerta	Kg				
AC 1300	20,5		2 (9 Kg)	2 (10 Kg)	
AC 900	13,2				2 (11 Kg)
AC 600	8,8	2 (8 Kg)			

25 - Spring For Counterbalancing doors

CODE	DESCRIPTION
190651	BUSH
331430	BRACKET FOR DOOR SPRING
391309	DOOR SPRING 4KG - 40MM
391318	DOOR SPRING 4,5KG - 40MM
391331	SPRING ASSEMBLY KG. 5 MM 40
391332	DOOR SPRING 5,5 KG - 40MM

MODELLO MODELE MODEL MODELL MODELO	PRELAVAGGIO PRELAVAGE VORABRÄUMUNG PREWASH PRELAVADO	1° LAVAGGIO 1 ^{ER} LAVAGE 1 ST WASH 1. WASCHEN 1. LAVADO	2° LAV. 2 ^{EME} LAV. 2 ND WASH 2. WAS. 2. LAV.	RISCIACQUO - RINCAGE RINSE - NACHSPÜLUNG ACLARADO  	RISCIACQUO - RINCAGE RINSE - NACHSPÜLUNG ACLARADO  
AC 91		1 x 9 kW		1 x 12,5 kW	1 x 10 kW 1 x 12,5 kW
AC 101		1 x 9 kW		1 x 14 kW	2 x 12,5 kW
AC 122		1 x 9 kW		1 x 12,5 kW	1 x 10 kW 1 x 12,5 kW
AC 151		1 x 9 kW		2 x 10 kW	1 x 10 kW 2 x 12,5 kW
AC 152		1 x 9 kW		2 x 8 kW	1 x 10 kW 2 x 9 kW
AC 151 RC		1 x 9 kW			1 x 10 kW 1 x 12,5 kW
AC 152 RC		1 x 9 kW			2 x 9 kW
AC 181		1 x 9 kW		2 x 10 kW	2 x 12,5 kW 1 x 10 kW
AC 182		1 x 9 kW		2 x 9 kW	3 x 10 kW
AC 181 RC		1 x 9 kW			1 x 9 kW 1 x 8 kW 1 x 6 kW
AC 182 RC		1 x 9 kW			2 x 10 kW
AC 201	1 x 9 kW	1 x 9 kW		2 x 10 kW	1 X 10 kW 2 x 12,5 kW
AC 202	1 x 9 kW	1 x 9 kW		2 x 9 kW	3 x 10 kW
AC 201 RC	1 x 9 kW	1 x 9 kW			1 x 9 kW 1 x 8 kW 1 x 6 kW
AC 202 RC	1 x 9 kW	1 x 9 kW			2 x 10 kW
AC 241	1 x 9 kW	1 x 9 kW	1 x 9 kW	2 x 10 kW	1 x 10 kW 2 x 12,5 kW
AC 242	1 x 9 kW	1 x 9 kW	1 x 9 kW	2 x 10 kW	3 x 10 kW
AC 241 RC	1 x 9 kW	1 x 9 kW	1 x 9 kW		1 x 9 kW 1 x 8 kW 1 x 6 kW
AC 242 RC	1 x 9 kW	1 x 9 kW	1 x 9 kW		1 x 9 kW 2 x 6 kW


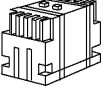

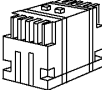
		220/380 V	240/415 V
	6 kW	110349	110383
	8 kW	110343	110365
	9 kW	110362	110343
	10 kW	110388	110381
	12,5 kW	110367	110382
14 kW	110386	110385	


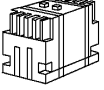

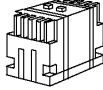
10 - 1998 | S.A.G.

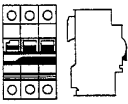
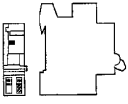
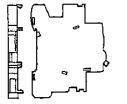
26 - Heating Elements

CODE	DESCRIPTION
110343	HEAT.ELEM. 8000W 220/380V
110349	HEAT.ELEMENT 6000W 230/400V
110362	HEAT.ELEMENT 9000W 220/380V
110365	HEAT.ELEM. 9000W 255/440V-8KW
110367	HEAT.ELEMENT 12500W 230/400V
110381	HEAT.ELEMENT 12500W 254/440V
110382	HEAT.ELEM. 12500W (110367)
110383	HEAT.ELEMENT 6KW 240/415
110385	HEAT.ELEM.14000W 240/415V-12KW
110386	HEAT.ELEMENT14KW 230/400V
110388	HEAT.ELEMENT 10000W 230/400V

27 - Electrical parts for heatings elements

	220/240 V				380/415 V			
								
KW	A	FUSIBILI FUSIBLE FUZE SCHMELZSICHERUNG FUSIBLE	A	TELERUTTORE CONTACTEUR CONTACTOR SCHALTSCHÜTZ CONTACTOR	A	FUSIBILI FUSIBLE FUZE SCHMELZSICHERUNG FUSIBLE	A	TELERUTTORE CONTACTEUR CONTACTOR SCHALTSCHÜTZ CONTACTOR
9	32	130237	26	120471	20	130248	12	120469
12,5	40	130238	30	120472	25	130236	26	120471
14	40	130238	30	120472	32	130237	26	120471
16	50	130257	40	120473	32	130237	30	120472
18	63	130239	40	120473	40	130237	30	120472
20	63	130239	50	120474	40	130237	30	120472


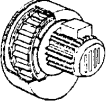
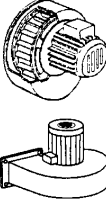
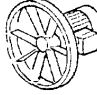
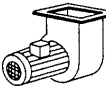
ASCIUGATURA - SECHAGE - DRYER - TROCKNUNG - SECADO								
	220/240 V				380/415 V			
								
KW	A	FUSIBILI FUSIBLE FUZE SCHMELZSICHERUNG FUSIBLE	A	TELERUTTORE CONTACTEUR CONTACTOR SCHALTSCHÜTZ CONTACTOR	A	FUSIBILI FUSIBLE FUZE SCHMELZSICHERUNG FUSIBLE	A	TELERUTTORE CONTACTEUR CONTACTOR SCHALTSCHÜTZ CONTACTOR
4,5	12	130236	9	120468	10	130269	9	120468
6	20	130248	12	120469	12	130248	9	120468
9	32	130237	26	120471	20	130248	16	120470

			
A	MAGNETOTERMICO RESISTENZA MAGNETO-TERMIQUE RESISTANCE TERMO-MAGNETIC SWITCH FOR HEATER TERMO-MAGNETISCHER SCHALTER F. HEIZKÖRPER MAGNETO-TERMICO RESISTENCIA	BOBINA DISGANCIO V.24 PER BOILER BOBINÉ DÉCROCHAGE V.24 POUR SURCHAUFFEUR DISCONNECTING COIL V.24 FOR BOILER AUSLÖSESPÜLE V.24 FÜR BOILER BOBINA DE SEMBRAGUE V.24 POR BOILER	CONTATTO PER BOBINA DISGANCIO CONTACT POUR BOBINÉ DÉCROCHAGE CONTACT FOR DISCONNECTING COIL KONTAKT FÜR AUSLÖSESPÜLE CONTACTO POR BOBINA DE SEMBRAGUE
20	121020	630977	130925
25	121021	630977	130925
32	121022	630977	130925
40	121023	630977	130925
50	121024	630977	130925
63	121025	630977	130925
80	121026	630978	130940

09 - 2002 | S.A.G.

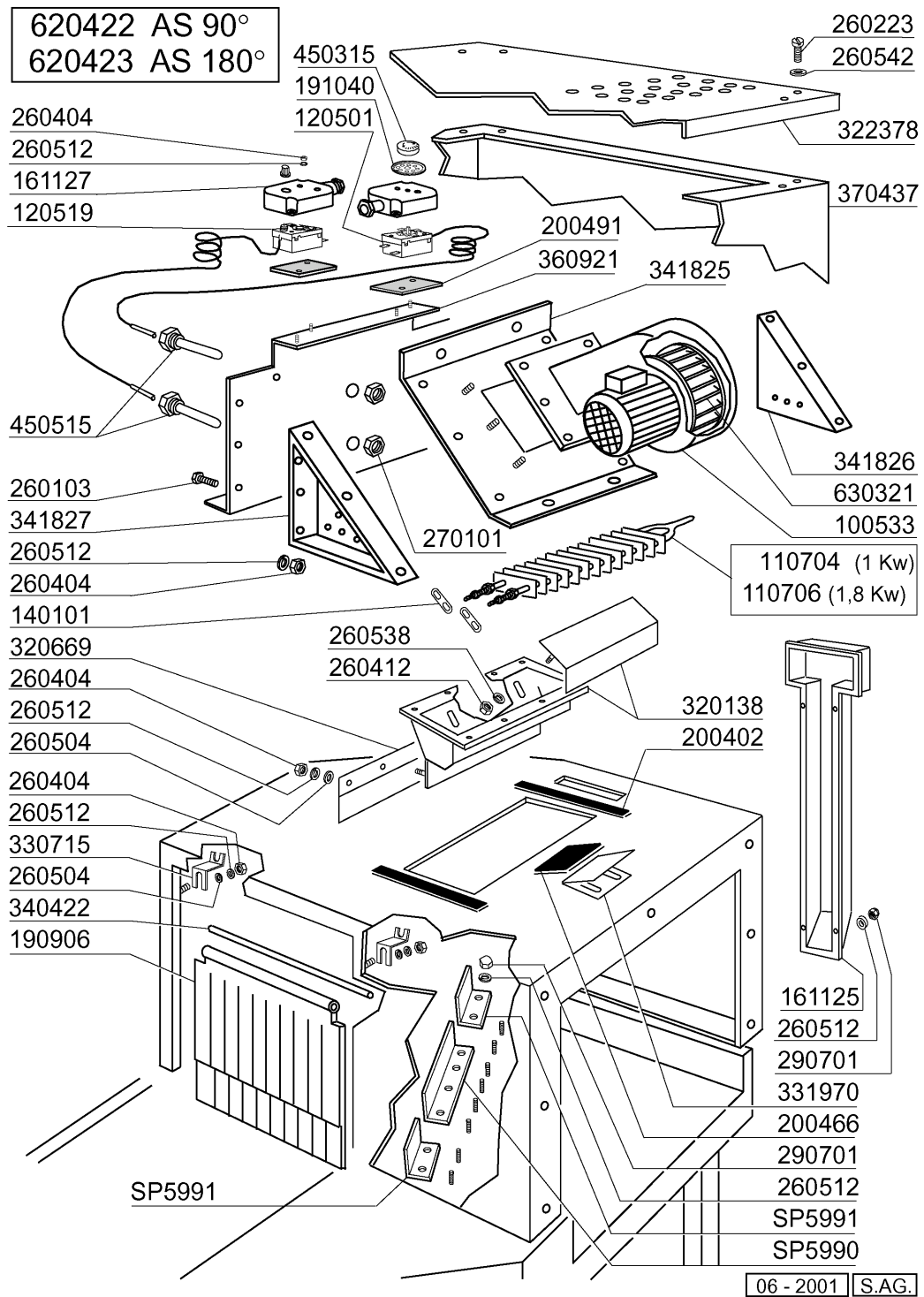
27 - Electrical parts for heatings elements

CODE	DESCRIPTION
120468	CONTACTOR ABB 9A 24V 50/60HZ
120469	CONTACTOR ABB 12A 24V 50/60HZ
120470	CONTACTOR ABB 16A 24V 50/60HZ
120471	CONTACTOR ABB 26A 24V 50/60HZ
120472	CONTACTOR ABB 24V 50/60HZ
120473	CONTACTOR ABB 24V 50/60HZ
120474	CONTACTOR ABB 50A 24V 50/60HZ
121020	CIRCUIT BREAKER 20A
121021	CIRCUIT BREAKER 25A
121022	CIRCUIT BREAKER 32A
121023	CIRCUIT BREAKER 40A
121024	CIRCUIT BREAKER 50A
121025	CIRCUIT BREAKER 63A
121026	MAGN.SWITCH 80A
130236	FUSE 14X51 25A GF14325
130237	FUSE 14X51 32A GL14332
130238	FUSE 14X51 40A GF 14340
130239	FUSE 22X58 63A GF15363
130248	FUSE 20A-10,3X38 13320 G.F.
130257	FUSE 50A 14X51 GF14350
130269	FUSE GG 10,3X38 10A
130925	CONTACT FOR CIRCUIT BREAKER
130940	AUXILIARY CONTACT ABB
630977	COIL FOR CIRCUIT BREAKER 24V
630978	COIL FOR CIRCUIT BREAKER 80A

		220/240 V 3 ~						380/415 V 3 ~					
	KW	TELERUTTORE CONTACTEUR CONTACTOR SCHALTSCHÜTZ CONTACTOR	A	TERMICA TERMIQUE OVERLOAD RELAY TERMOAUSLÖSER TERMICO	A	FUSIBILI FUSIBLE FUZE SCHMELZSICHERUNG FUSIBLE	A	TELERUTTORE CONTACTEUR CONTACTOR SCHALTSCHÜTZ CONTACTOR	A	TERMICA TERMIQUE OVERLOAD RELAY TERMOAUSLÖSER TERMICO	A	FUSIBILI FUSIBLE FUZE SCHMELZSICHERUNG FUSIBLE	A
	0,12 0,15	120468	9		1 + 1,6	130260	2	120468	9	120858 120859	0,4 ÷ 0,63 0,63 ÷ 1	130260	2
	0,75	120468	9	120863	2,8 ÷ 4	130230	4	120468	9	120862	1,7 + 2,4	130230	4
	0,55	120468	9	120863	2,8 ÷ 4	130230	4	120468	9	120860	1 + 1,4	130260	2
	0,55	120468	9	120863	2,8 ÷ 4	130230	4	120468	9	120862	1,7 + 2,4	130230	4
	0,09	120468	9	—	—	130259	1	120468	9	—	—	130259	1

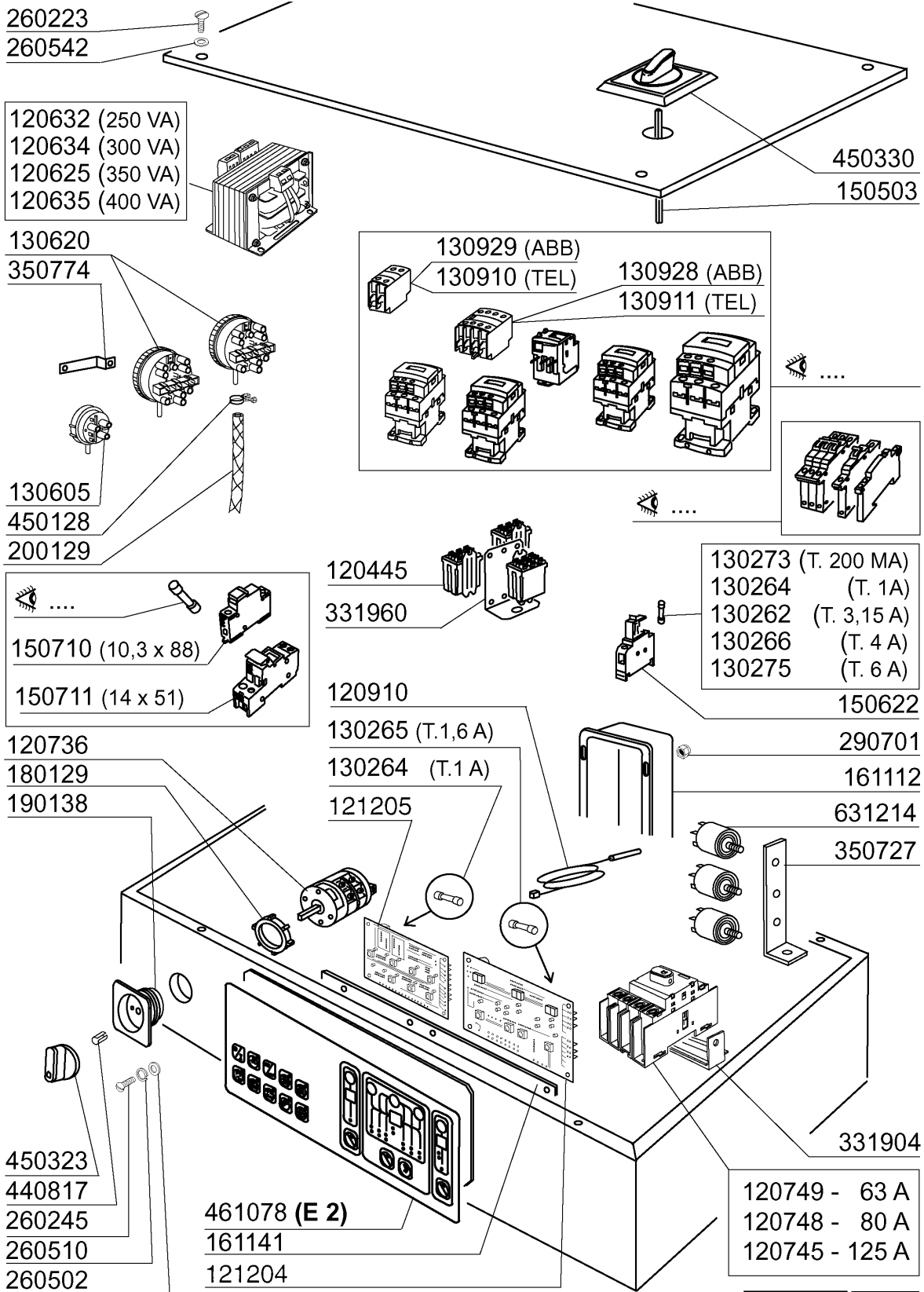
CODE	DESCRIPTION
120468	CONTACTOR ABB 9A 24V 50/60HZ
120858	OVERLOAD RELAY ABB 0,4-0,63A
120859	OVERLOAD RELAY ABB 0,63-1A
120860	OVERLOAD RELAY ABB 1-1,4A
120862	OVERLOAD RELAY ABB 1,7-2,4A
120863	OVERLOAD RELAY ABB 2,8-4A
130230	FUSE 10,3X38 4A AM13004
130259	FUSE 10,3X38 1A AM 13095
130260	FUSE 10,3X38 2A AM 13001

29 - Electric dryer on exit curve 90°-180°



29 - Electric dryer on exit curve 90°-180°

CODE	DESCRIPTION
100533	FAN HP 1 220-240-380-415V VRP2
110704	HEAT.ELEMENT/DRYING 1000W 220V
110706	DRYER HEAT.ELEMENT 1500W 230V
120501	THERMOSTAT 30/90°C
120519	SECURITY THERMOSTAT 95-125°C
140101	BRASS CONNECT. PLATE HEAT.ELEM
161125	BACK COVER CHANNEL S NL
161127	BOX FOR THERMOSTAT
190906	CURTAIN IN/OUT 620X480
191040	FRAME F.THERMOSTAT KNOB
200402	SELF-ADHES.RUBB.SPONGE STRIPS
200466	GASKET 100 X 4
200491	BACK GASKET OF THERMOSTAT BOX
260103	SCREW TE 6X12
260223	M5X12 MSH/HD SCREW SPECIAL S/S
260404	STAINLESS STEEL NUTS D6 UNI 55
260412	SELF-LOCKING NUT M6
260504	ST/ST FLAT WASHER D6
260512	ST/ST GROWER WASHER D6
260538	WASHER 18X6X1,5 ST/ST
260542	WASHER D.5
270101	HEXAGON LOCK NUT 1/2"
290701	HEXAGON BLIND NUTS GM H12
320138	DEFLECTOR F. DRYER
320669	FIXING PLATE
322378	COVER
330715	UPPER BRACKET CURTAIN SNL-SE
331970	FAN SUPPORT
340422	SHAFT FOR CURTAIN AC-ACR
341825	DRYER FAN SUPPORT
341826	RIGHT SUPPORT
341827	LEFT SUPPORT
360921	BACK PANEL FOR DRYER 3-4,5KW
370437	DRYING MODULE
450315	KNOB F. THERMOSTAT 90°C
450515	STAINL.ST.SHIELD FOR 1 THERMOS
620422	DRYER
620423	DRYER
630321	FAN IMPELLOR FOR C 100533 1HP
SP5990	VORTEX BREAKER
SP5991	VORTEX BREAKER



01 - 2002 | S. AG.

30 - Control Box -E2-

CODE	DESCRIPTION
120445	AUXILIARY RELAY S.B2/3 24V
120625	TRANSFOR.350VA 225*415/12V-24V
120632	TRANSFORMER 250VA220-240-380-4
120634	TRANSFORMER 300VA220-240-380-4
120635	TRANSFORMER 400VA220-240-380-4
120736	4 POLE MAIN SWITCH 25A 500V
120745	MAIN SWITCH 4 POLE 125A
120748	MAINSWITCH 80A 4P
120749	MAINSWITCH 63A 4P
120910	ELECTRONIC TOUCH PAD CONTROLS
121204	ELECTRONIC PANEL THERMOREG.7+1
121205	"ELECTRONIC 2" PANEL
130262	FUSE 5X20 T315MA
130264	FUSE 5X20 1A
130265	FUSE 5X20 1,6A
130266	FUSE 5X20 4A
130273	FUSE 5X20 250MA GLAS
130275	FUSE 5X20 6,3A GLAS
130605	PRESSURE SWITCH 50-30 1 LEVEL
130620	PRESSURE SWITCH 3 LEVEL 50-30/
130910	CONTACT LA1 D20 A65
130911	CONTACT LA1 D40 A65
130928	CONTACT ABB 4NO
130929	CONTACT ABB 1NO/1NC 30"
150503	EXTENTION FOR MAIN SWITCH
150622	FUSE HOLDER SIEMENS 1,5MM-6,3A
150710	FUSE CARRIER 10,3X38 ART.21401
150711	FUSE CARRIER 14X51 ART.21501
161112	BACK COVER CHANNEL 300 S N
161141	PROTECTION
180129	NUT FOR MAIN SWITCH SUPPORT
190138	SUPPORT
200129	HOSE 5X11 FOR PRESSURE SWITCH
260223	M5X12 MSH/HD SCREW SPECIAL S/S
260245	SPECIAL SCREW TC 3,5X16
260502	S/S FLAT WASHER D.4
260510	GROWER WASHER D.4
260542	WASHER D.5
290701	HEXAGON BLIND NUTS GM H12
331904	BRACKET
331960	BRACKET
350727	BRACKET
350774	BRACKET
440817	SNAP RING LSCB/1853/17/00
450128	CLAMP
450323	KNOB FOR BC-BR-C95-C155
450330	KNOB FOR MAIN SWITCH
461078	PLATE "ELECTRONIC 2"
631214	ANTI-NOISE FILTER 4011135007 3